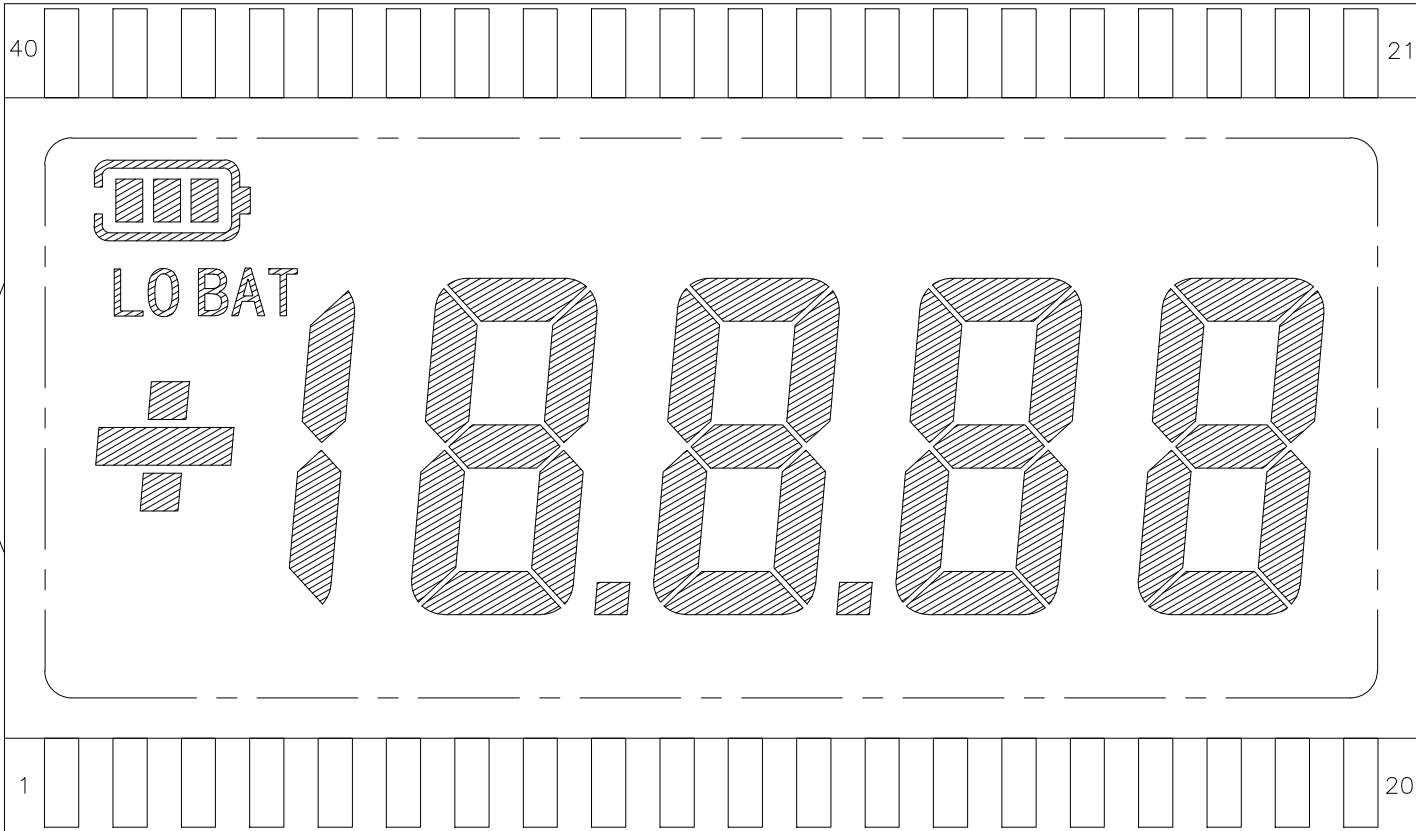


大连奇耘电子有限公司  
DALIAN QIYUN DISPLAY CO.,LTD.

确认此型号所有图纸;签字确认:

DESIGNED BY: G J	GDC06212R(P)-11	VERSION: 1.0	1. DISPLAY TYPE: HTN/POSITIVE	6. POLARIZER TYPE: REFLECTIVE	VERSION	REVISION RECORD
CHECKED BY: HQM		NO. 1 OF 4	2. OPERATING VOLTAGE: 3.3V	7. VIEWING DIRECTION: 6:00	1.0	初版
		UNIT: mm	3. DRIVE MODE: 1/1D,1/1B	8. CONNECTOR: PIN	2.0	
		DATE: 2018-01-15	4. OPERATING TEMP: -20°C~70°C	9. CUSTOMER NO:	3.0	
TOLERANCES UNLESS OTHERWISE SPECIFIED:±0.2			5. STORAGE TEMP: -30°C~80°C	10. LCM NO:	4.0	



大连奇耘电子有限公司  
DALIAN QIYUN DISPLAY CO.,LTD.

DESIGNED BY:

G J

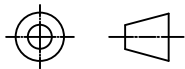
GDC06212R(P)-11

VERSION: 1.0

NO. 2 OF 4

CHECKED BY:

HQM

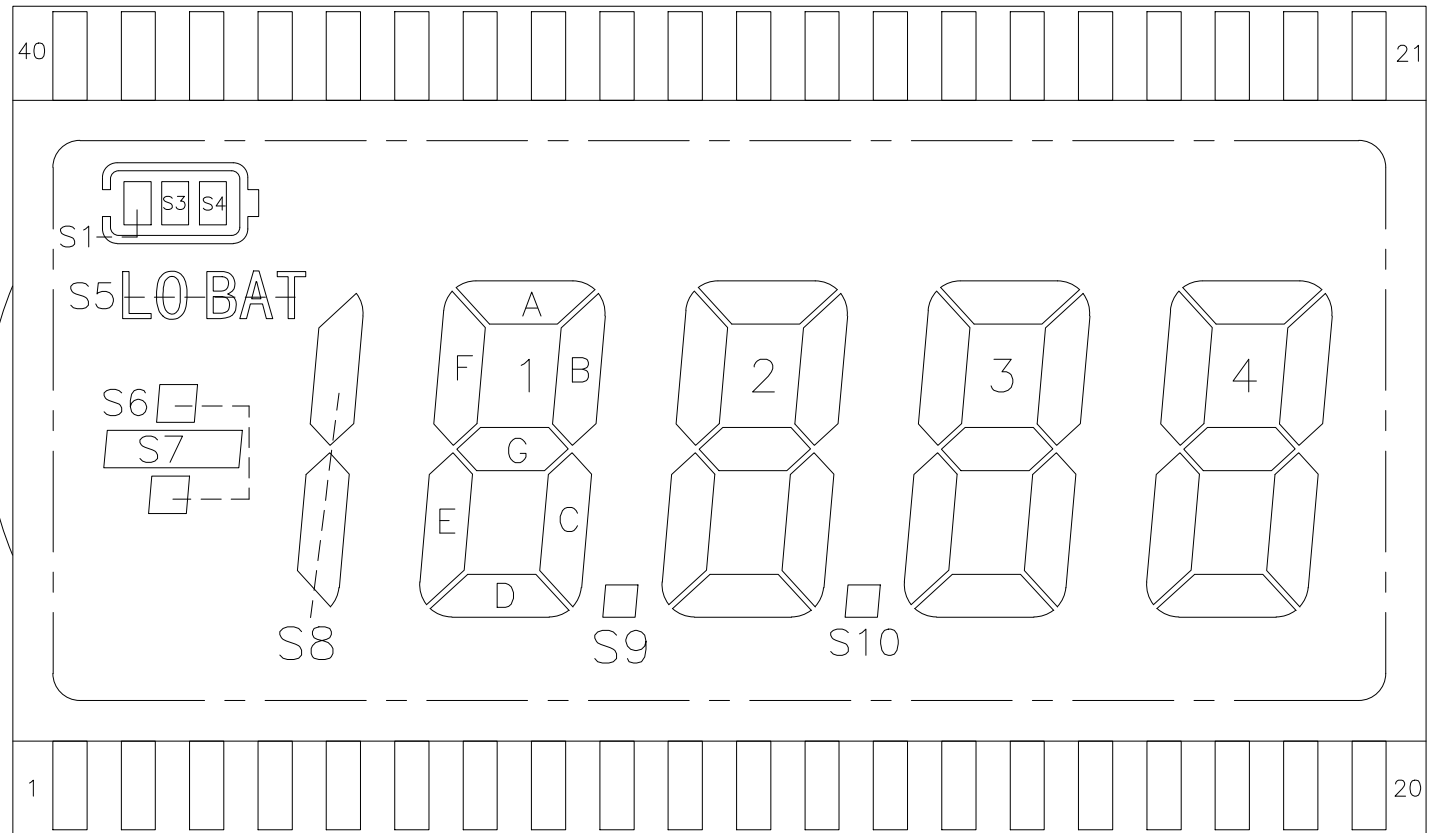
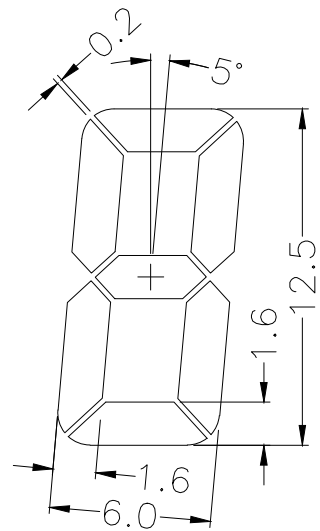


UNIT: mm

DATE: 2018-01-15

TOLERANCES UNLESS OTHERWISE SPECIFIED:±0.2

全显示效果图



大连奇耘电子有限公司  
DALIAN QIYUN DISPLAY CO.,LTD.

DESIGNED BY:

G J

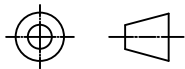
GDC06212R(P)-11

VERSION: 1.0

NO. 3 OF 4

CHECKED BY:

HQM



UNIT: mm

DATE: 2018-01-15

TOLERANCES UNLESS OTHERWISE SPECIFIED: ±0.2

PIN	1	2	3	4	5	6	7	8	9	10	11	12	13	14
COM1	COM1	S7	S8	--	1E	1D	1C	S9	2E	2D	2C	S10	3E	3D

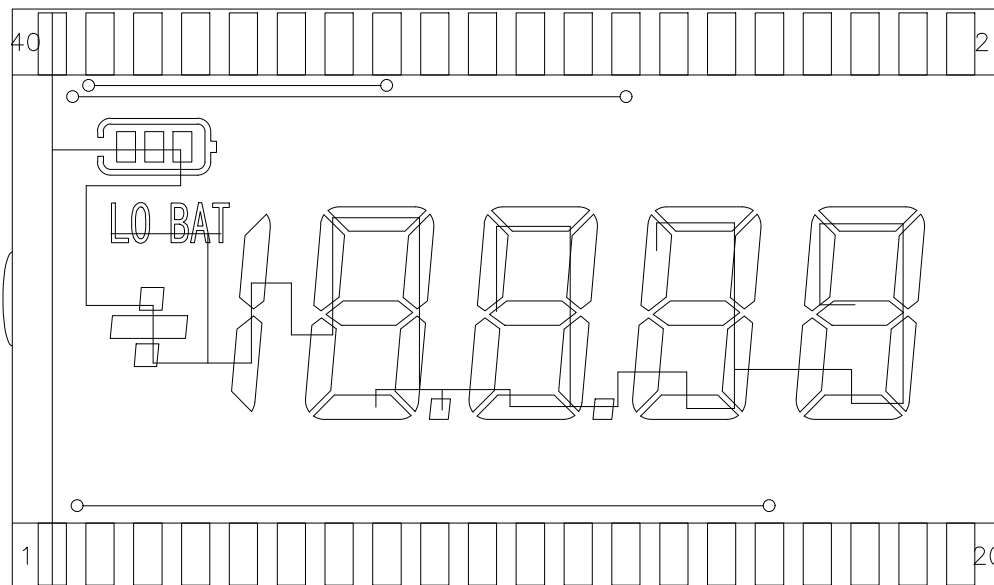
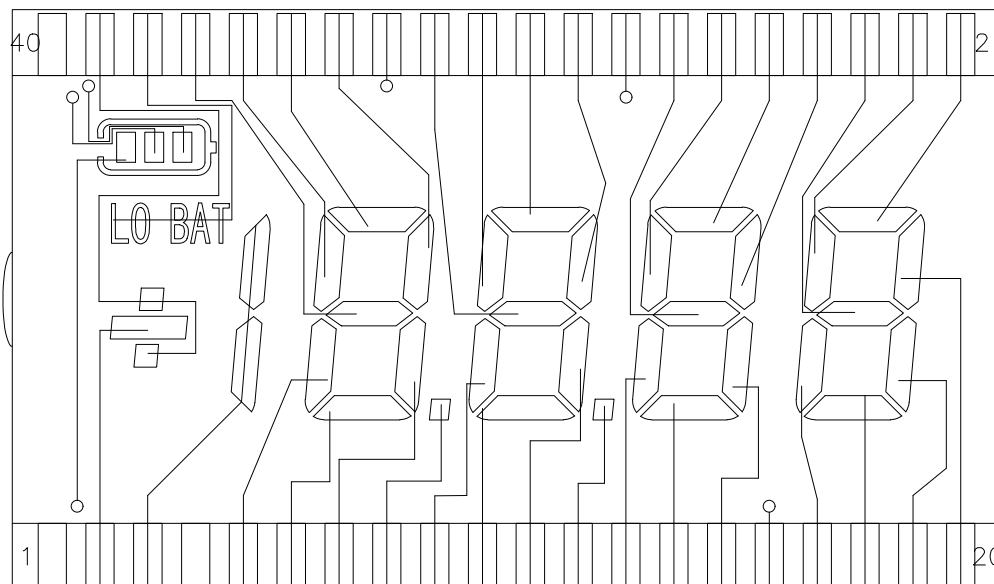
PIN	15	16	17	18	19	20	21	22	23	24	25	26	27	28
COM1	3C	S1	4E	4D	4C	4B	4A	4F	4G	3B	3A	3F	3G	S3

PIN	29	30	31	32	33	34	35	36	37	38	39	40
COM1	2B	2A	2F	2G	S4	1B	1A	1F	1G	S5	S6	COM1

SEG

此页图案仅供走线参考!

COM



大连奇耘电子有限公司  
DALIAN QIYUN DISPLAY CO.,LTD.

DESIGNED BY:

G J

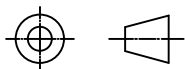
GDC06212R(P)-11

VERSION: 1.0

NO. 4 OF 4

CHECKED BY:

HQM



UNIT: mm

DATE: 2018-01-15

TOLERANCES UNLESS OTHERWISE SPECIFIED:±0.2