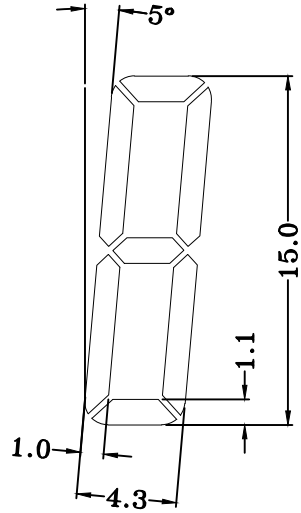
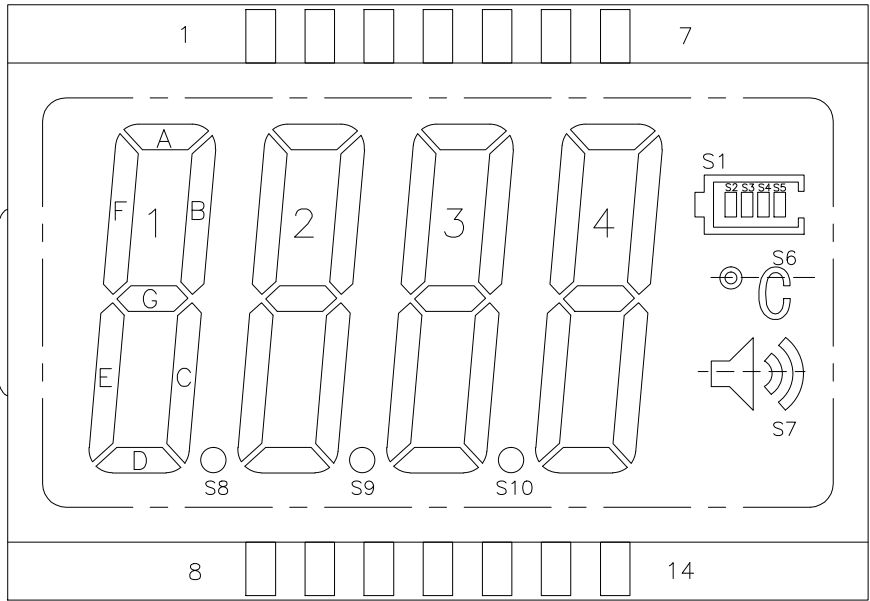


大连奇耘电子有限公司
DALIAN QIYUN DISPLAY CO., LTD.

确认此型号所有图纸;签字确认:

DESIGNED BY: G J	GDC06113S(T)P8.5V3B	VERSION: 1.0 NO. 1 OF 4	1. DISPLAY TYPE: HTN/POSITIVE	6. POLARIZER TYPE: TRANSFLECTIVE	VERSION	REVISION RECORD
CHECKED BY: HQM		UNIT: mm DATE: 2017-12-14	2. OPERATING VOLTAGE: 3.0V	7. VIEWING DIRECTION: 6:00	1.0	初版
TOLERANCES UNLESS OTHERWISE SPECIFIED:±0.2			3. DRIVE MODE: 1/4DUTY,1/3BIAS	8. CONNECTOR: PIN	2.0	
			4. OPERATING TEMP: -40°C~80°C	9. CUSTOMER NO:	3.0	
			5. STORAGE TEMP: -40°C~80°C	10. LCM NO:	4.0	



PIN	1	2	3	4	5	6	7	8	9	10	11	12	13	14
COM1	COM1	--	--	--	--	S5	S7	1D	S8	2D	S9	3D	S10	4D
COM2	--	COM2	--	--	4C	S4	S6	1E	1C	2E	2C	3E	3C	4E
COM3	--	--	COM3	--	4G	S2	S1	1F	1G	2F	2G	3F	3G	4F
COM4	--	--	--	COM4	4B	S3	--	1A	1B	2A	2B	3A	3B	4A



大连奇耘电子有限公司
DALIAN QIYUN DISPLAY CO., LTD.

DESIGNED BY:

G J

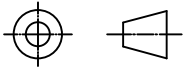
GDC06113S(T)P8.5V3B

VERSION: 1.0

NO. 2 OF 4

CHECKED BY:

HQM

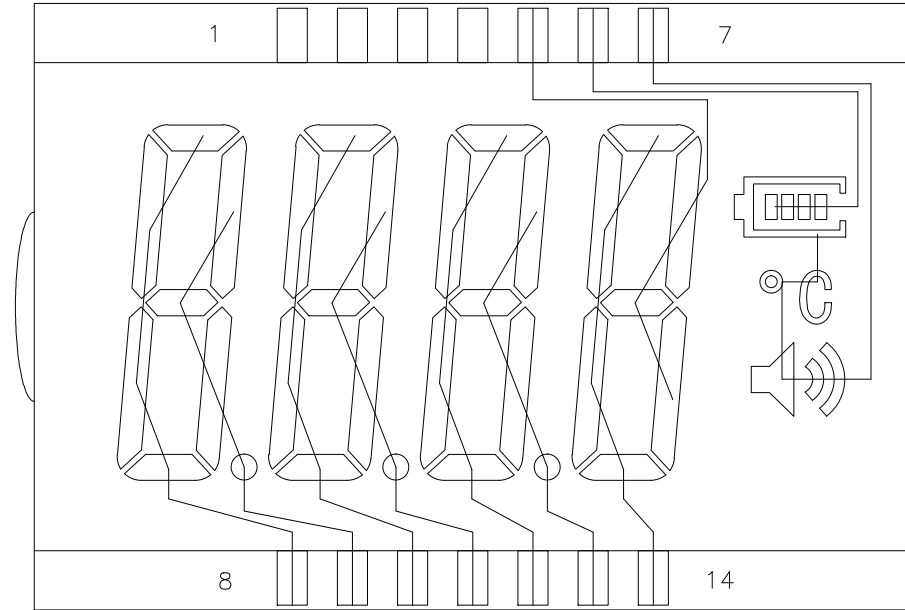


UNIT: mm

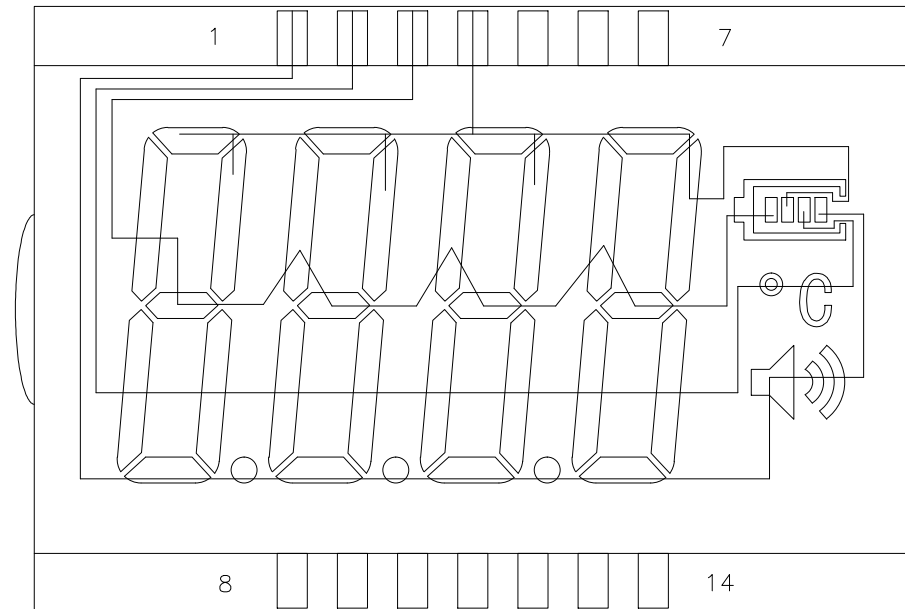
DATE: 2017-12-14

TOLERANCES UNLESS OTHERWISE SPECIFIED: ±0.2

SEG



COM



大连奇耘电子有限公司
DALIAN QIYUN DISPLAY CO., LTD.

DESIGNED BY:

G J

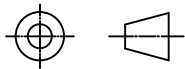
GDC06113S(T)P8.5V3B

VERSION: 1.0

NO. 3 OF 4

CHECKED BY:

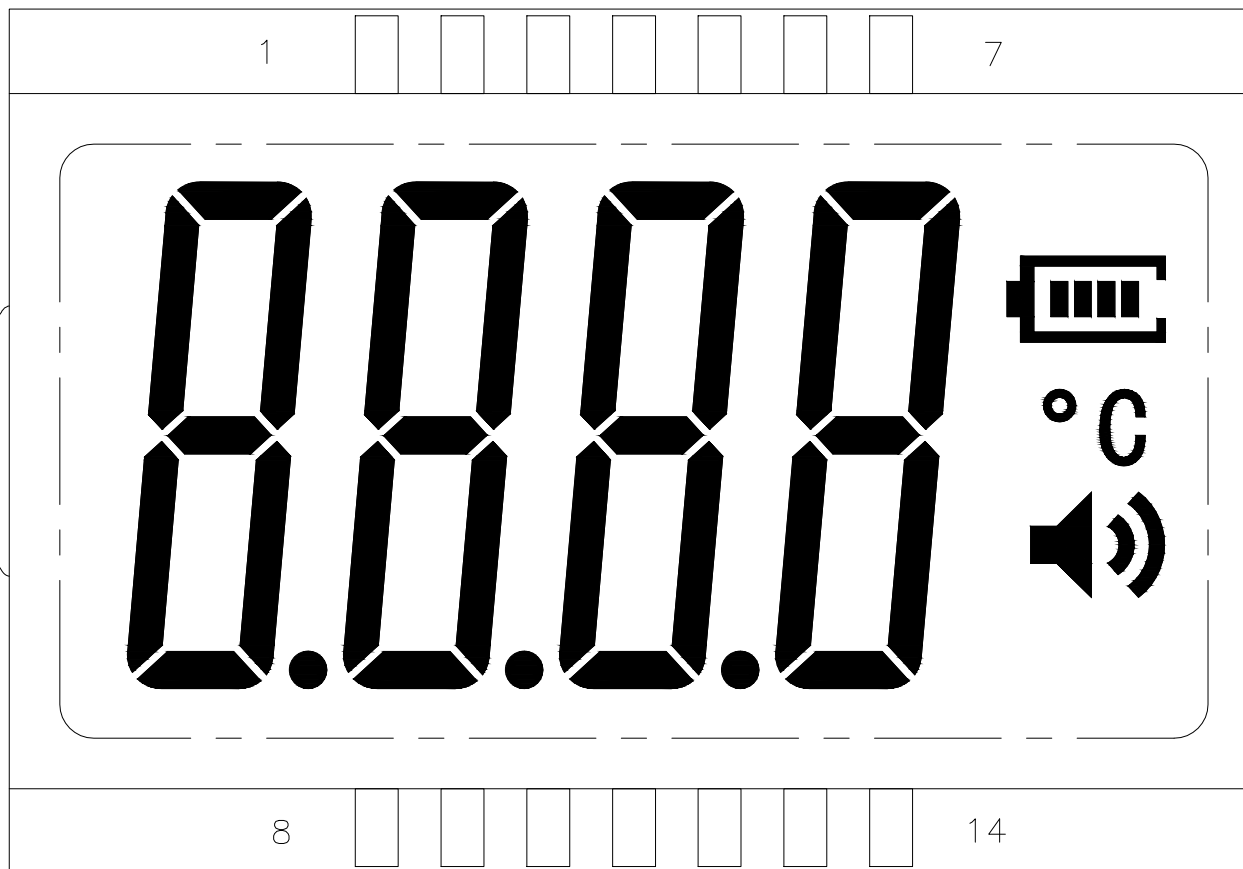
HQM



UNIT: mm

DATE: 2017-12-14

TOLERANCES UNLESS OTHERWISE SPECIFIED: ±0.2



大连奇耘电子有限公司
DALIAN QIYUN DISPLAY CO., LTD.

DESIGNED BY:

G J

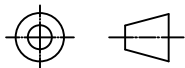
GDC06113S(T)P8.5V3B

VERSION: 1.0

NO. 4 OF 4

CHECKED BY:

HQM



UNIT: mm

DATE: 2017-12-14

TOLERANCES UNLESS OTHERWISE SPECIFIED: ±0.2

全显示效果图