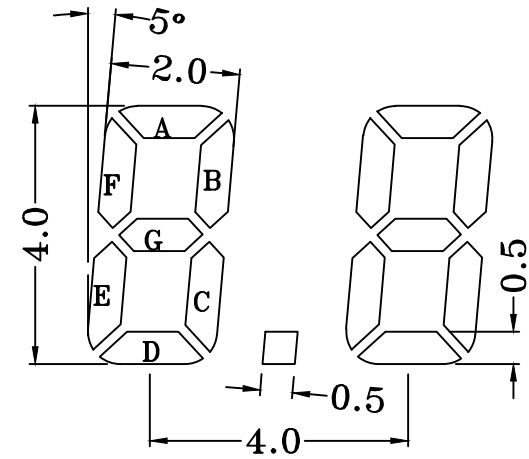
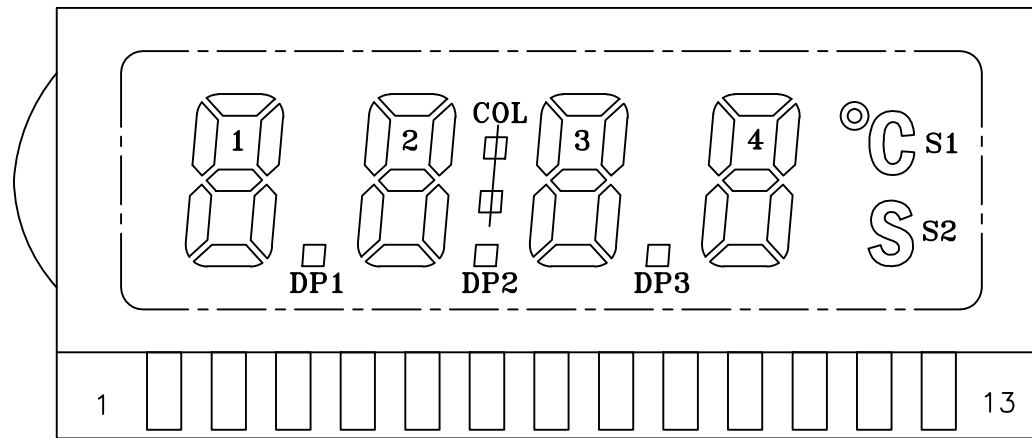


大连奇耘电子有限公司
DALIAN QIYUN DISPLAY CO., LTD.

确认此型号所有图纸;签字确认:

DESIGNED BY: WCZ	GDC0209(T)P8V2.5B	VERSION: 2.0 NO. 1 OF 4	1. DISPLAY TYPE: TN/POSITIVE	2. OPERATING VOLTAGE: 2.5V	3. DRIVE MODE: 1/4DUTY,1/3BIAS	4. OPERATING TEMP: 0°C~60°C	5. STORAGE TEMP: -10°C~70°C	6. POLARIZER TYPE: TRANFLECTIVE	7. VIEWING DIRECTION: 6:00	8. CONNECTOR: PIN	9. CUSTOMER NO:	10. LCM NO:	VERSION	REVISION RECORD
CHECKED BY: HZH		UNIT: mm DATE: 2018-09-06											1.0	初版
TOLERANCES UNLESS OTHERWISE SPECIFIED:±0.2													2.0	反射改半透
													3.0	
													4.0	



PIN	1	2	3	4	5	6	7	8	9	10	11	12	13
COM0	COM0				1F	1A	2F	2A	3F	3A	4F	4A	
COM1		COM1			1G	1B	2G	2B	3G	3B	4G	4B	
COM2			COM2		1E	1C	2E	2C	3E	3C	4E	4C	S1
COM3				COM3	1D	DP1	2D	DP2	3D	DP3	4D	COL	S2



大连奇耘电子有限公司
DALIAN QIYUN DISPLAY CO., LTD.

DESIGNED BY:

WCZ

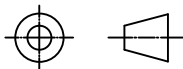
GDC0209(T)P8V2.5B

VERSION: 2.0

NO. 2 OF 4

CHECKED BY:

HZH

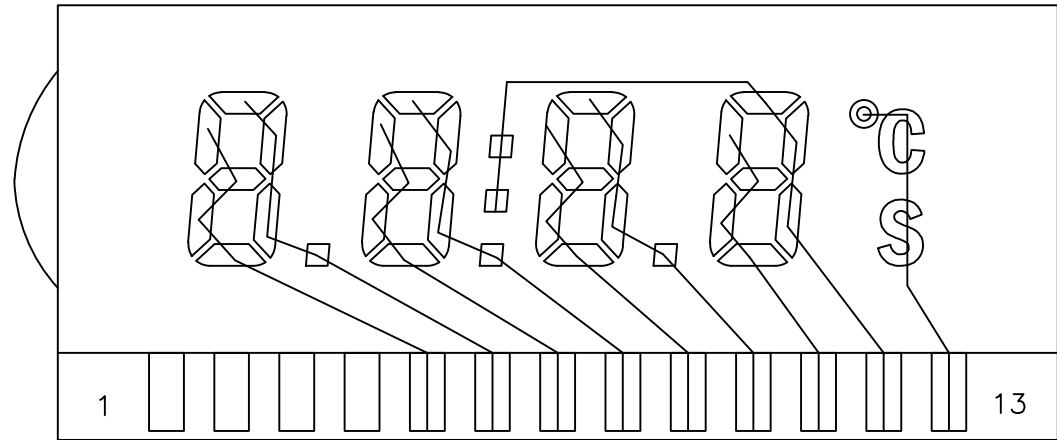


UNIT: mm

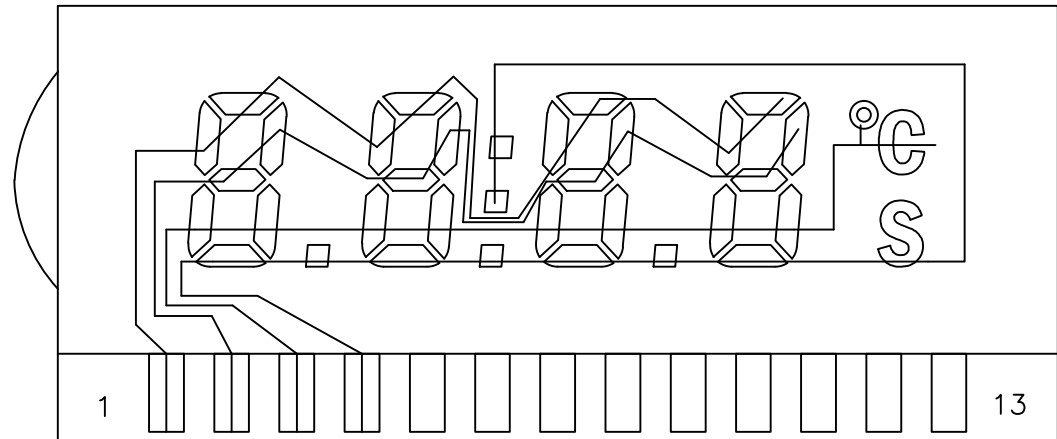
DATE: 2018-09-06

TOLERANCES UNLESS OTHERWISE SPECIFIED: ±0.2

SEG



COM



大连奇耘电子有限公司
DALIAN QIYUN DISPLAY CO., LTD.

DESIGNED BY:

WCZ

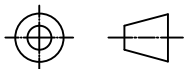
GDC0209(T)P8V2.5B

VERSION: 2.0

NO. 3 OF 4

CHECKED BY:

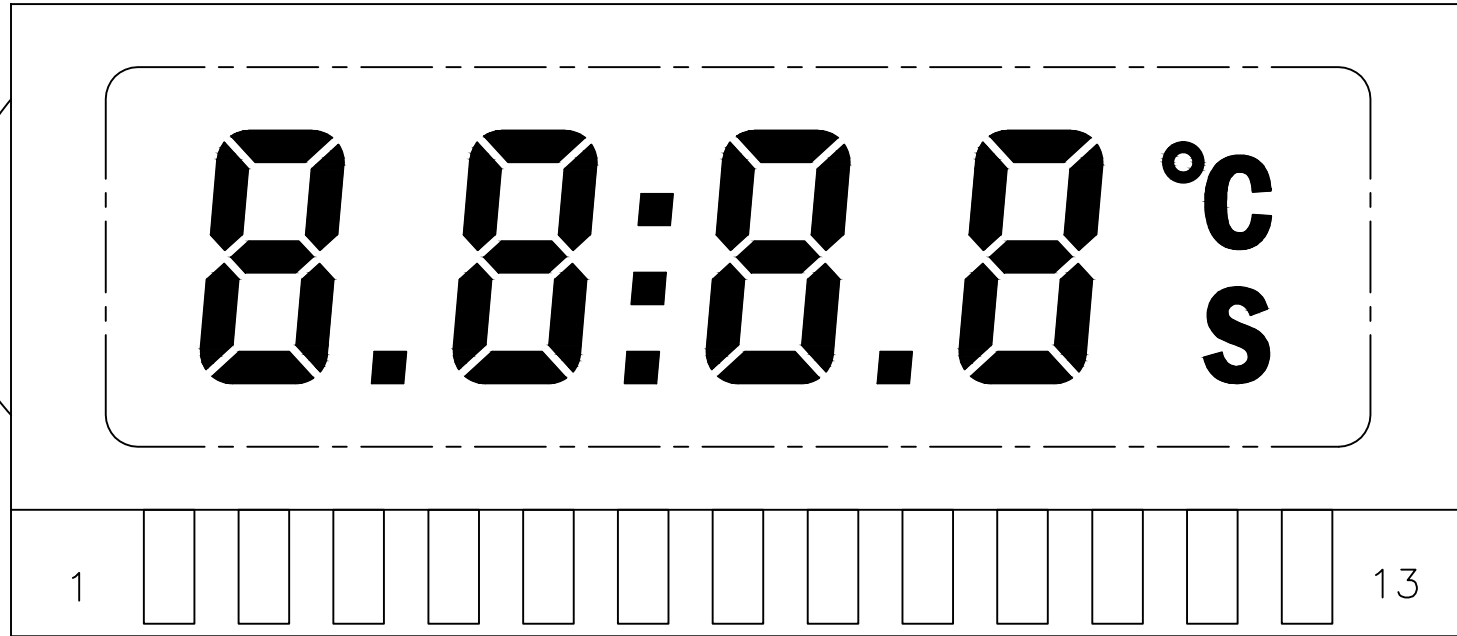
HZH



UNIT: mm

DATE: 2018-09-06

TOLERANCES UNLESS OTHERWISE SPECIFIED: ±0.2



大连奇耘电子有限公司
DALIAN QIYUN DISPLAY CO., LTD.

DESIGNED BY:

WCZ

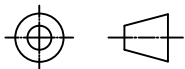
GDC0209(T)P8V2.5B

VERSION: 2.0

NO. 4 OF 4

CHECKED BY:

HZH



UNIT: mm

DATE: 2018-09-06

TOLERANCES UNLESS OTHERWISE SPECIFIED: ±0.2

全显示效果图