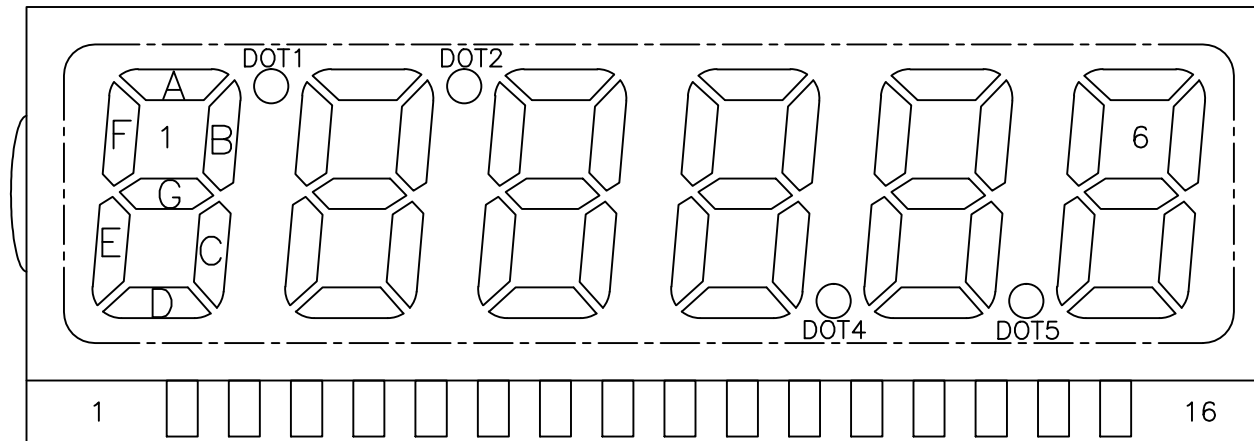


大连奇耘电子有限公司
DALIAN QIYUN DISPLAY CO., LTD.

确认此型号所有图纸;签字确认:

DESIGNED BY: ZN	EDS826S(T)P15V3B	VERSION: 2.0 NO. 1 OF 4	1. DISPLAY TYPE: TN/POSITIVE	2. OPERATING VOLTAGE: 3.0V	3. DRIVE MODE: 1/4DUTY,1/3BIAS	4. OPERATING TEMP: -40°C~80°C	5. STORAGE TEMP: -40°C~90°C	6. POLARIZER TYPE: TRANSFLECTIVE	7. VIEWING DIRECTION: 6:00	8. CONNECTOR: PIN	9. CUSTOMER NO:	10. LCM NO:	VERSION 1.0 2.0 3.0 4.0	REVISION RECORD 初版 反射改半透
CHECKED BY: HQM		UNIT: mm DATE: 2017-04-08												
TOLERANCES UNLESS OTHERWISE SPECIFIED:±0.2														



PIN	1	2	3	4	5	6	7	8	9	10	11	12	13	14	15	16
COM0	COM0				1A	DOT1	2A	DOT2	3A		4A	DOT4	5A	DOT5	6A	
COM1		COM1			1F	1B	2F	2B	3F	3B	4F	4B	5F	5B	6F	6B
COM2			COM2		1E	1G	2E	2G	3E	3G	4E	4G	5E	5G	6E	6G
COM3				COM3	1D	1C	2D	2C	3D	3C	4D	4C	5D	5C	6D	6C



大连奇耘电子有限公司
DALIAN QIYUN DISPLAY CO., LTD.

DESIGNED BY:

ZIN

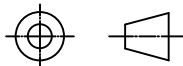
EDS826S(T)P15V3B

VERSION: 2.0

NO. 2 OF 4

CHECKED BY:

HQM

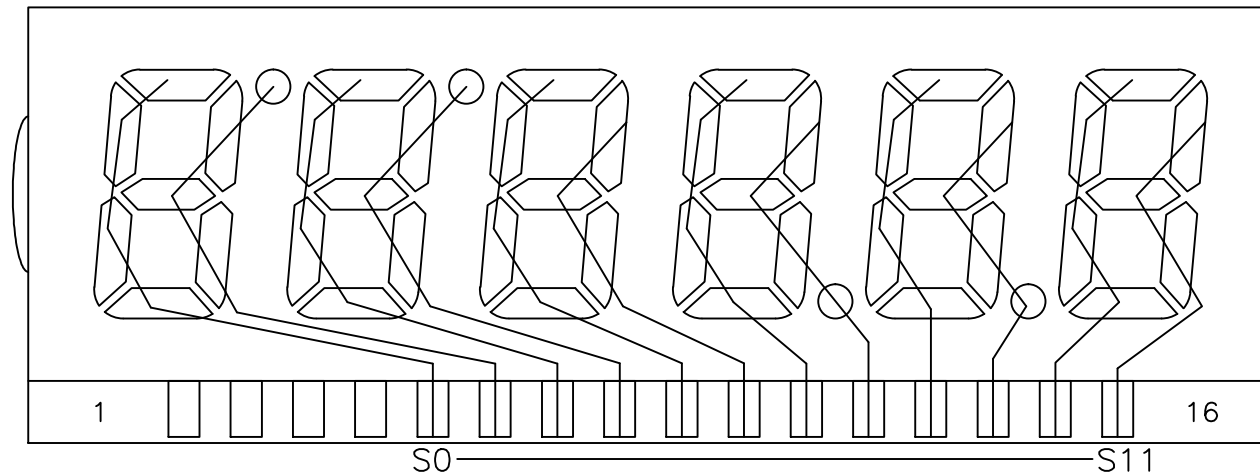


UNIT: mm

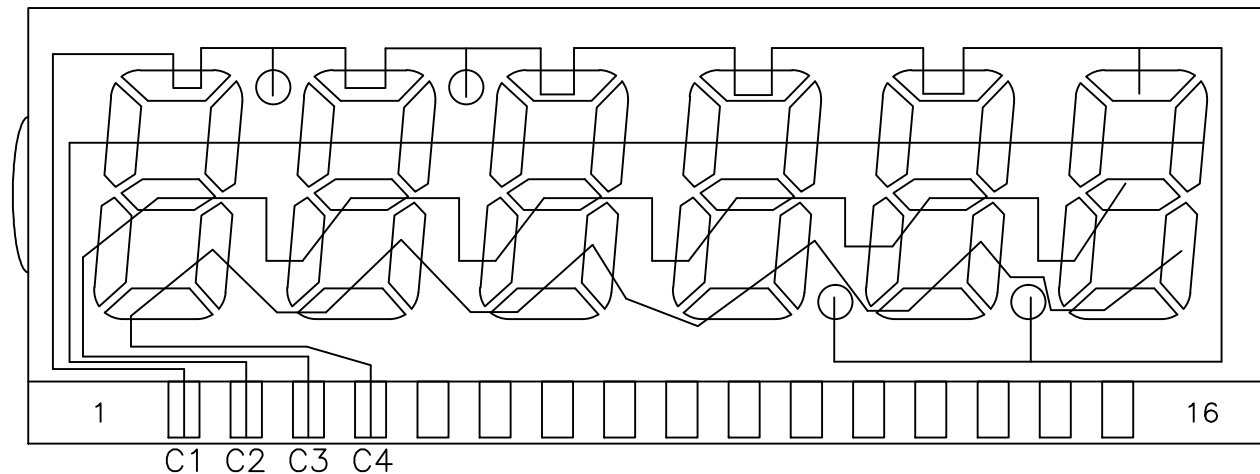
DATE: 2017-04-08

TOLERANCES UNLESS OTHERWISE SPECIFIED: ±0.2

SEG



COM



大连奇耘电子有限公司
DALIAN QIYUN DISPLAY CO., LTD.

DESIGNED BY:

ZN

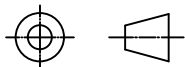
EDS826S(T)P15V3B

VERSION: 2.0

NO. 3 OF 4

CHECKED BY:

HQM

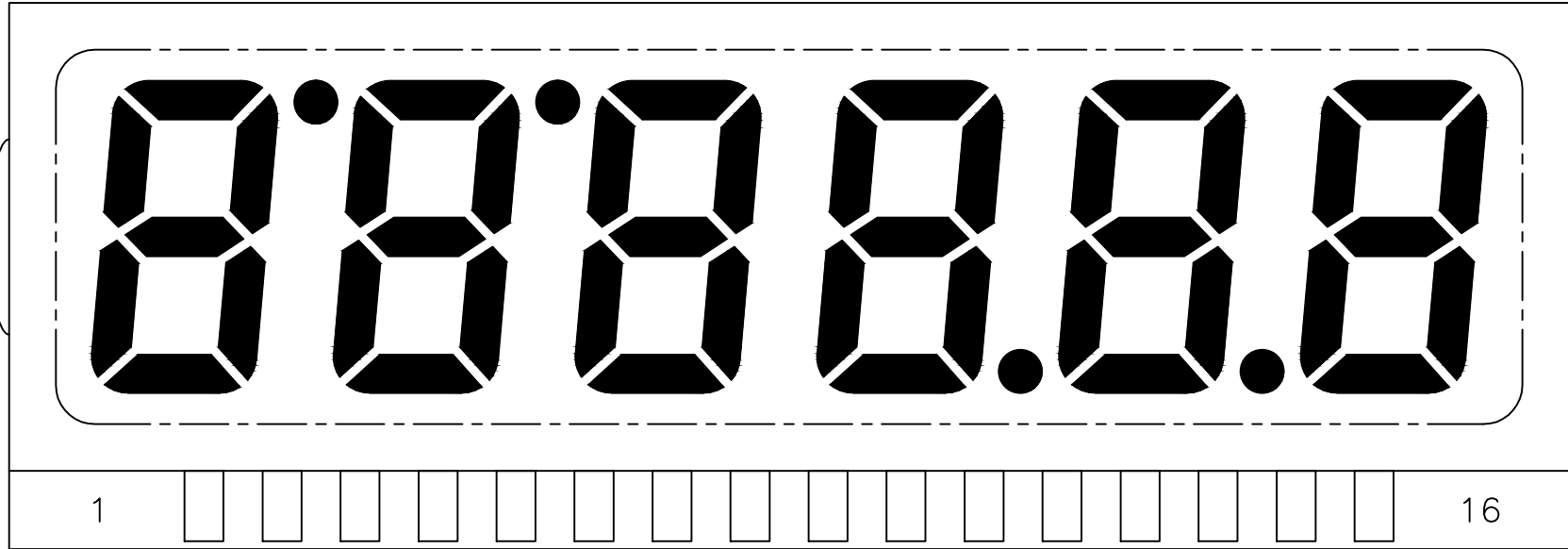


UNIT: mm

DATE: 2017-04-08

TOLERANCES UNLESS OTHERWISE SPECIFIED: ± 0.2

此页走线仅供参考



大连奇耘电子有限公司
DALIAN QIYUN DISPLAY CO., LTD.

DESIGNED BY:

ZN

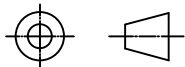
EDS826S(T)P15V3B

VERSION: 2.0

NO. 4 OF 4

CHECKED BY:

HQM



UNIT: mm

DATE: 2017-04-08

TOLERANCES UNLESS OTHERWISE SPECIFIED: ±0.2

全显示效果图