
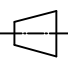
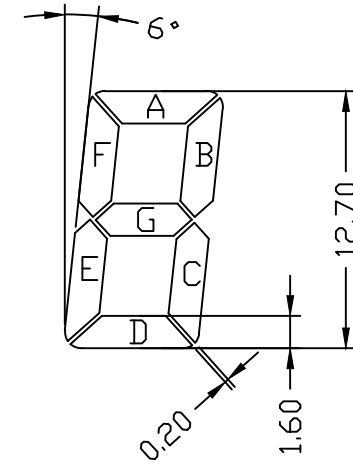
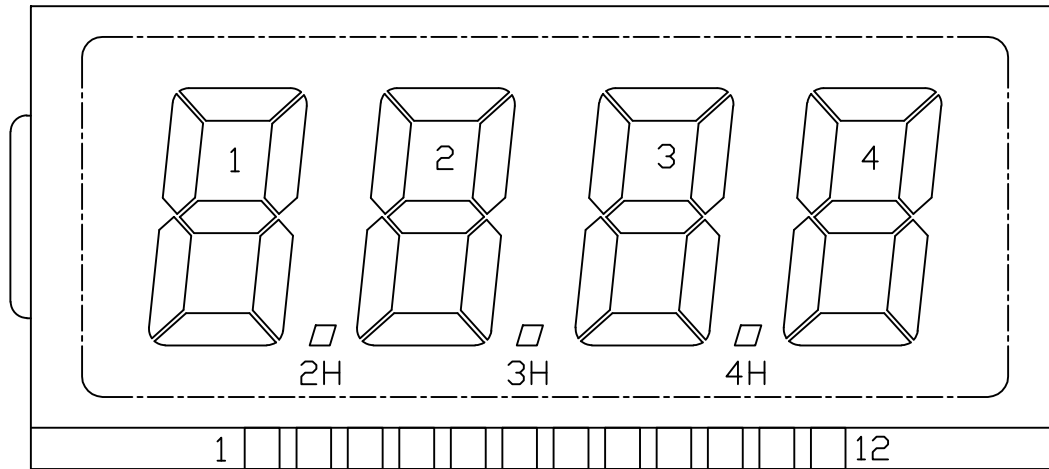



**大连奇耘电子有限公司**  
 DALIAN QIYUN DISPLAY CO., LTD.

确认此型号所有图纸;签字确认:

DESIGNED BY: <b>HTX</b>	QYT2977D(T)P10V3B	VERSION: 1.0	1. DISPLAY TYPE: TN/POSITIVE	6. POLARIZER TYPE: TRANSFLECTIVE	VERSION	REVISION RECORD
CHECKED BY: <b>WCZ</b>		NO. 1 OF 4	2. OPERATING VOLTAGE: 3.0V	7. VIEWING DIRECTION: 6:00	1.0	初版
	 	UNIT: mm	3. DRIVE MODE: 1/4DUTY,1/3BIAS	8. CONNECTOR: PIN	2.0	
		DATE: 2019-10-29	4. OPERATING TEMP: -20°C~70°C	9. CUSTOMER NO:	3.0	
TOLERANCES UNLESS OTHERWISE SPECIFIED:±0.2			5. STORAGE TEMP: -30°C~80°C	10. LCM NO:	4.0	



PIN	1	2	3	4	5	6	7	8	9	10	11	12
COM3	COM3				1A	1B	2A	2B	3A	3B	4A	4B
COM2		COM2			1F	1G	2F	2G	3F	3G	4F	4G
COM1			COM1		1E	1C	2E	2C	3E	3C	4E	4C
COM0				COM0		1D	2H	2D	3H	3D	4H	4D



大连奇耘电子有限公司  
DALIAN QIYUN DISPLAY CO., LTD.

DESIGNED BY:

HTX

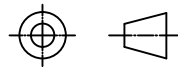
QYT2977D(T)P10V3B

VERSION: 1.0

NO. 2 OF 4

CHECKED BY:

WCZ



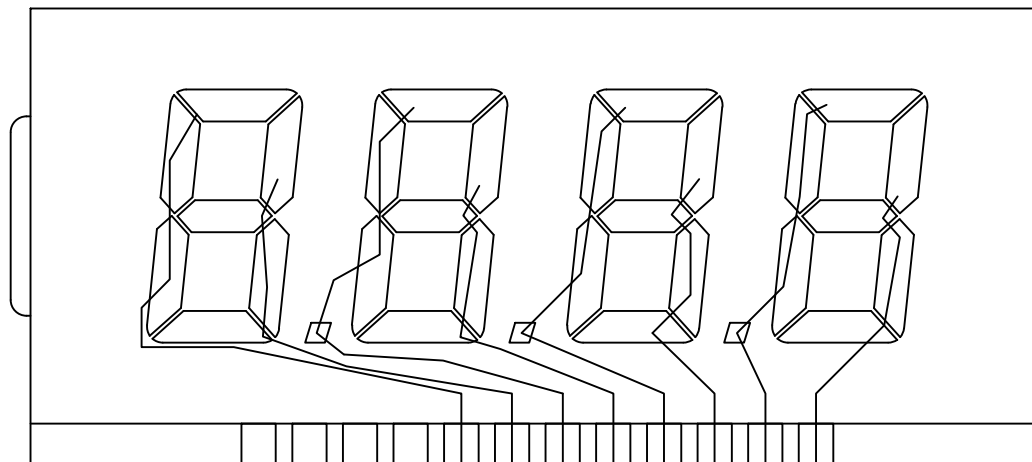
UNIT: mm

DATE: 2019-10-29

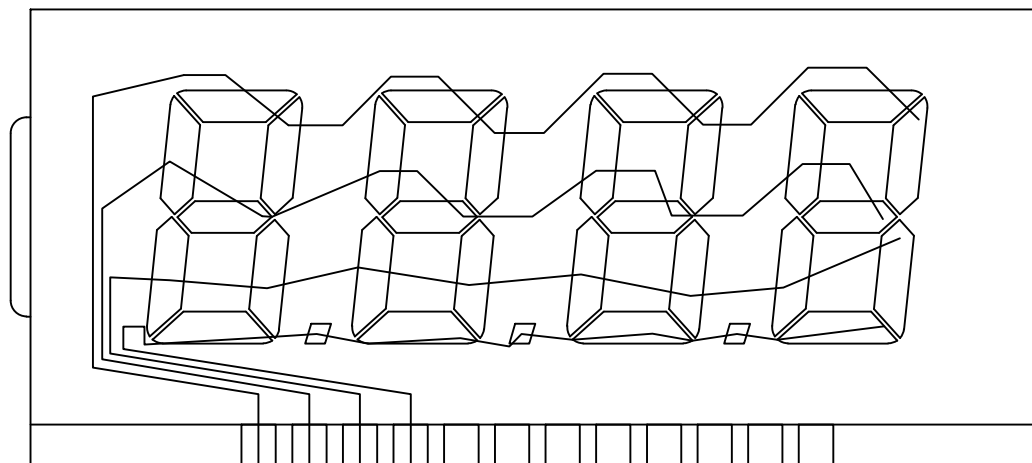
TOLERANCES UNLESS OTHERWISE SPECIFIED: ±0.2

SEG

此页图案仅供走线参考!



COM



大连奇耘电子有限公司  
DALIAN QIYUN DISPLAY CO., LTD.

DESIGNED BY:

HTX

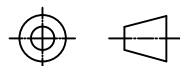
QYT2977D(T)P10V3B

VERSION: 1.0

NO. 3 OF 4

CHECKED BY:

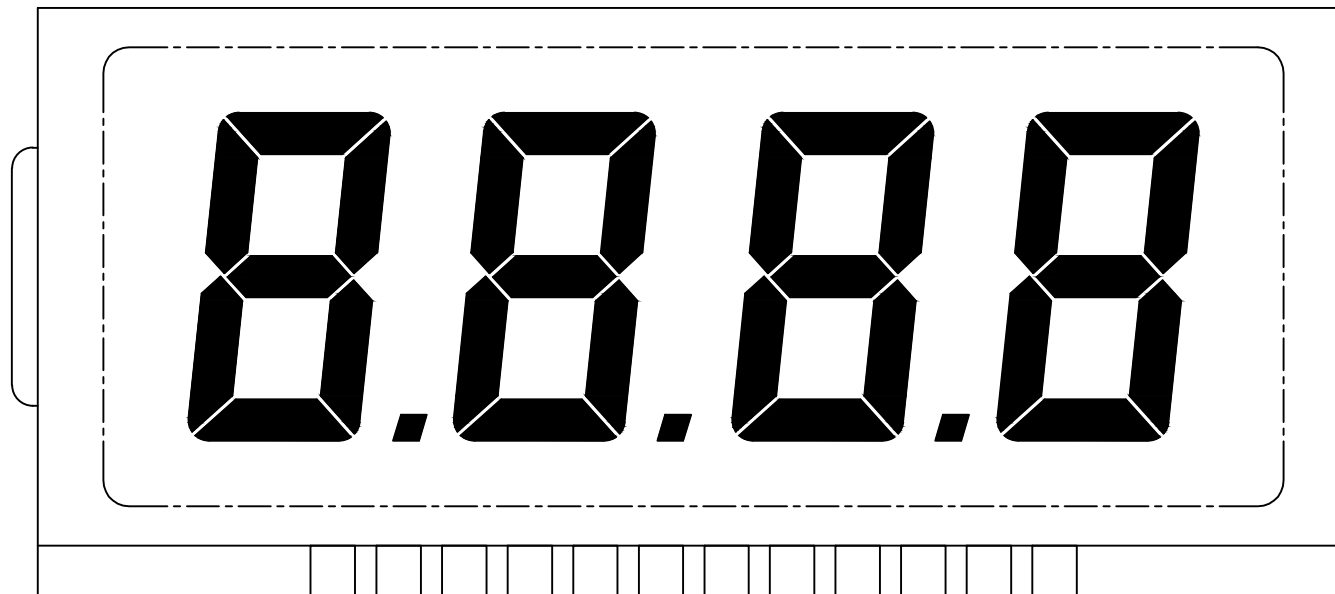
WCZ



UNIT: mm

DATE: 2019-10-29

TOLERANCES UNLESS OTHERWISE SPECIFIED:  $\pm 0.2$



# 全显示效果图



大连奇耘电子有限公司  
DALIAN QIYUN DISPLAY CO., LTD.

DESIGNED BY:

**HTX**

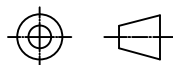
QYT2977D(T)P10V3B

VERSION: 1.0

NO. 4 OF 4

CHECKED BY:

**WCZ**



UNIT: mm

DATE: 2019-10-29

TOLERANCES UNLESS OTHERWISE SPECIFIED: ±0.2