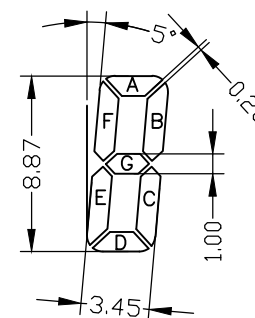
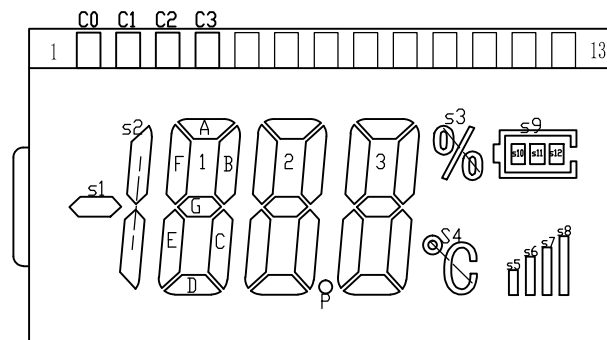


PIN	1	2	3	4	5	6	7	8	9	10	11	12	13
COM0	COM0				S2	1D	S1	2D	P	3D	/	S5	S9
COM1		COM1			1E	1C	2E	2C	3E	3C	/	S6	S10
COM2			COM2		1G	1B	2G	2B	3G	3B	S4	S7	S12
COM3				COM3	1F	1A	2F	2A	3F	3A	S3	S8	S11



大连奇耘电子有限公司
DALIAN QIYUN DISPLAY CO., LTD.

DESIGNED BY:

LJF

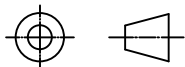
QYT13264S(T)P10V3T

VERSION: 2.0

NO. 2 OF 4

CHECKED BY:

TANG

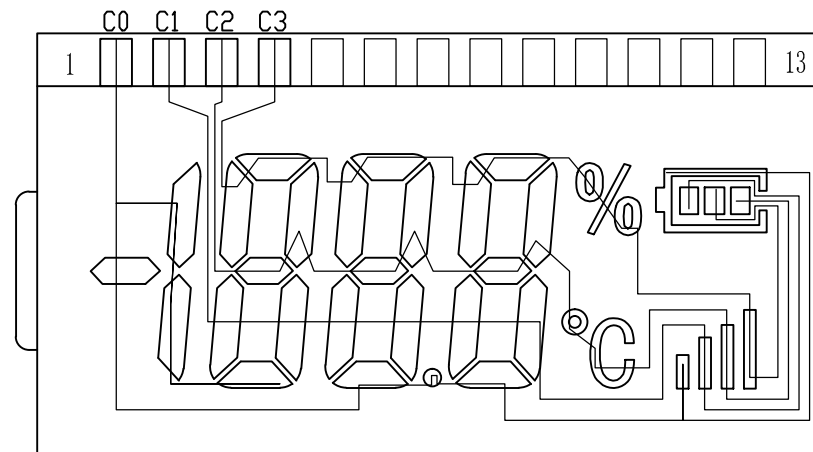


UNIT: mm

DATE: 2019-05-29

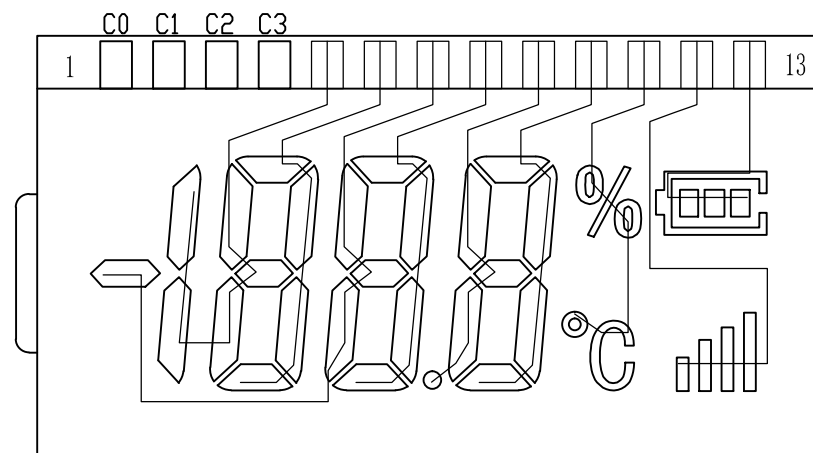
TOLERANCES UNLESS OTHERWISE SPECIFIED: ± 0.2

COM



只供走线参考

SEG



大连奇耘电子有限公司
DALIAN QIYUN DISPLAY CO., LTD.

DESIGNED BY:

LJF

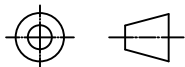
QYT13264S(T)P10V3T

VERSION: 2.0

NO. 3 OF 4

CHECKED BY:

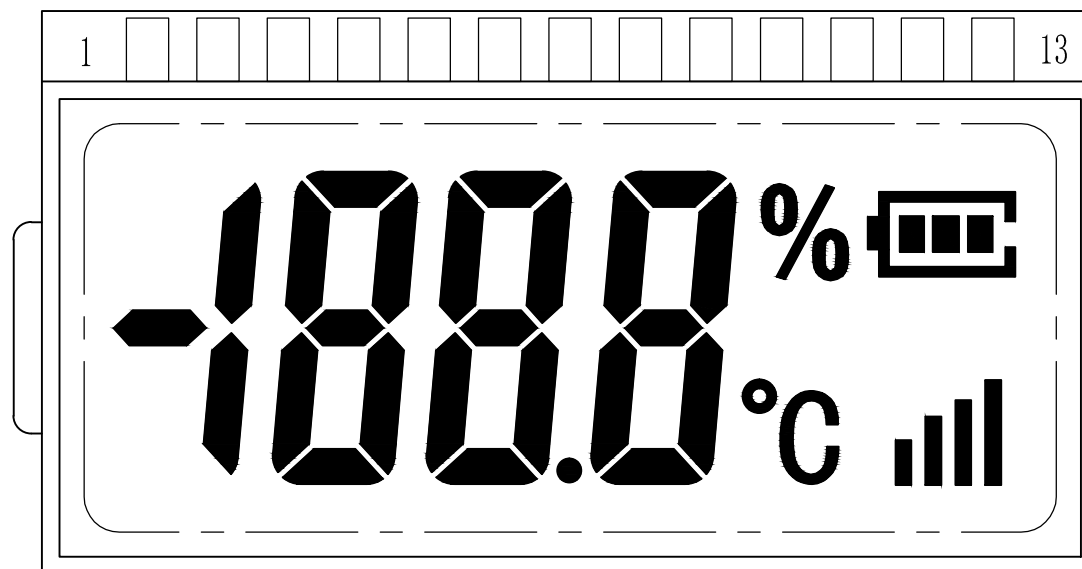
TANG



UNIT: mm

DATE: 2019-05-29

TOLERANCES UNLESS OTHERWISE SPECIFIED: ± 0.2



大连奇耘电子有限公司
DALIAN QIYUN DISPLAY CO., LTD.

DESIGNED BY:

LJF

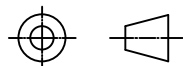
QYT13264S(T)P10V3T

VERSION: 2.0

NO. 4 OF 4

CHECKED BY:

TANG



UNIT: mm

DATE: 2019-05-29

TOLERANCES UNLESS OTHERWISE SPECIFIED: ± 0.2

显示效果图