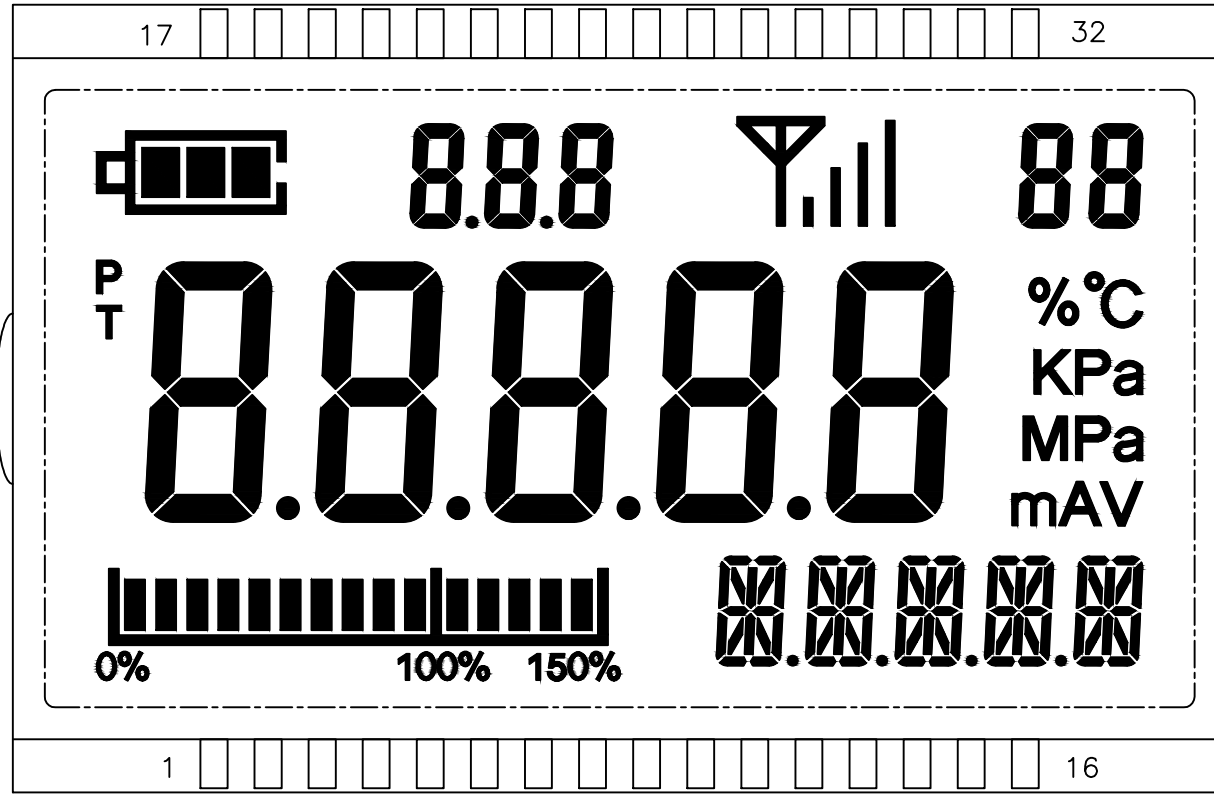


大连奇耘电子有限公司
DALIAN QIYUN DISPLAY CO., LTD.

确认此型号所有图纸;签字确认:

DESIGNED BY: WCZ	QYF2968S(T)P10V3T	VERSION: 2.0 NO. 1 OF 3	1. DISPLAY TYPE: FSTN/POSITIVE	6. POLARIZER TYPE: TRANSFLECTIVE	VERSION	REVISION RECORD
CHECKED BY: HZH		UNIT: mm DATE: 2019-10-11	2. OPERATING VOLTAGE: 3.0V	7. VIEWING DIRECTION: 12:00	1.0	初版
TOLERANCES UNLESS OTHERWISE SPECIFIED:±0.2			3. DRIVE MODE: 1/8DUTY,1/4BIAS	8. CONNECTOR: PIN	2.0	反射改半透
			4. OPERATING TEMP: -20°C~70°C	9. CUSTOMER NO:	3.0	
			5. STORAGE TEMP: -30°C~80°C	10. LCM NO:	4.0	



大连奇耘电子有限公司
DALIAN QIYUN DISPLAY CO., LTD.

DESIGNED BY:

WCZ

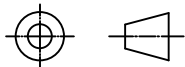
QYF2968S(T)P10V3T

VERSION: 2.0

NO. 2 OF 3

CHECKED BY:

HZH



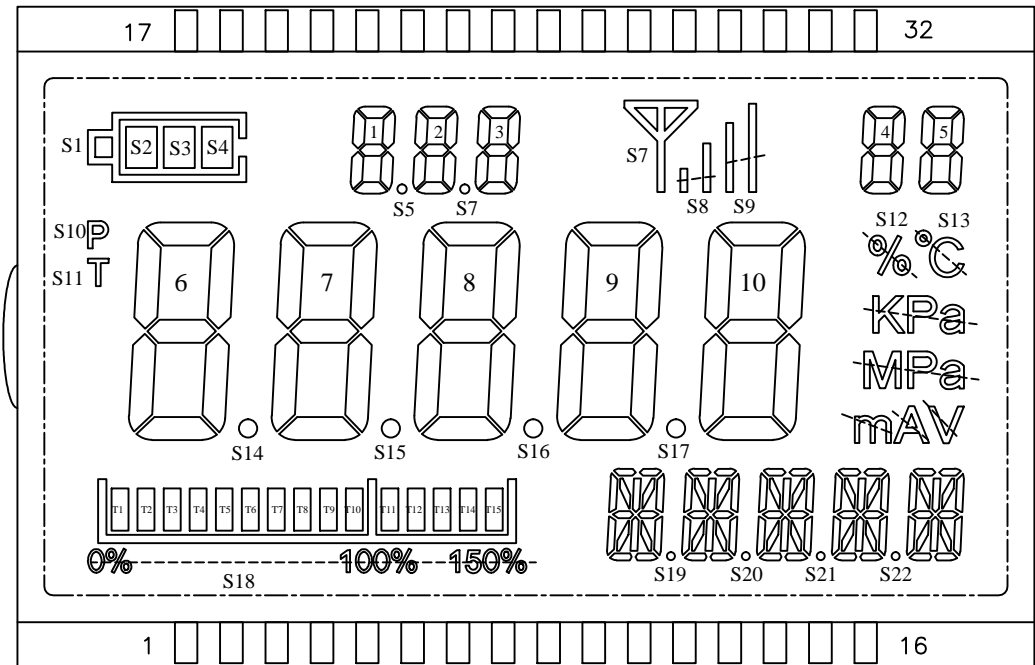
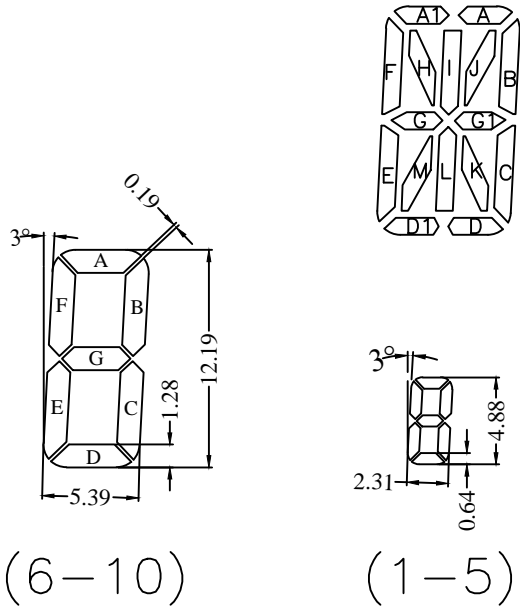
UNIT: mm

DATE: 2019-10-11

TOLERANCES UNLESS OTHERWISE SPECIFIED: ±0.2

全显示效果图

PIN	1	2	3	4	5	6	7	8	9	10	11	12	13	14	15	16	17	18	19	20	21	22	23	24	25	26	27	28	29	30	31	32
COM0	7F	7A	8F	8A	9F	9A	10F	10A	S20	1A	2F	2A	3F	3A	S12	S21	S8	S4	S19	6A	S22	4A	S9	5A	COM0							
COM1	7G	7B	8G	8B	9G	9B	10G	10B	1F	1B	2G	2B	3G	3B	KPa	S13	S7	S3	6F	6B	4F	4B	5F	5B	COM1							
COM2	7E	7C	8E	8C	9E	9C	10E	10C	1G	1C	2E	2C	3E	3C	MPa	V	S10	S2	6G	6C	4G	4C	5G	5C		COM2						
COM3	S14	7D	S15	8D	S16	9D	S17	10D	1E	1D	S5	2D	S6	3D	m	A	S11	S1	6E	6D	4E	4D	5E	5D			COM3					
COM4	11A1	11A	11J	11B	12A1	12A	12J	12B	13A1	13A	13J	13B	14A1	14A	14J	14B	T1	T8	T9	T12	15A1	15A	15J	15B					COM4			
COM5	11F	11H	11I	11G1	12F	12H	12I	12G1	13F	13H	13I	13G1	14F	14H	14I	14G1	T2	T7	T10	T13	15F	15H	15I	15G1						COM5		
COM6	11G	11M	11L	11K	12G	12M	12L	12K	13G	13M	13L	13K	14G	14M	14L	14K	T3	T6	T11	T14	15G	15M	15L	15K							COM6	
COM7	11E	11D1	11D	11C	12E	12D1	12D	12C	13E	13D1	13D	13C	14E	14D1	14D	14C	T4	T5	S18	T15	15E	15D1	15D	15C								COM7



大连奇耘电子有限公司
DALIAN QIYUN DISPLAY CO., LTD.

DESIGNED BY:

WCZ

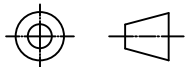
QYF2968S(T)P10V3T

VERSION: 2.0

NO. 3 OF 3

CHECKED BY:

HZH



UNIT: mm

DATE: 2019-10-11

TOLERANCES UNLESS OTHERWISE SPECIFIED: ±0.2