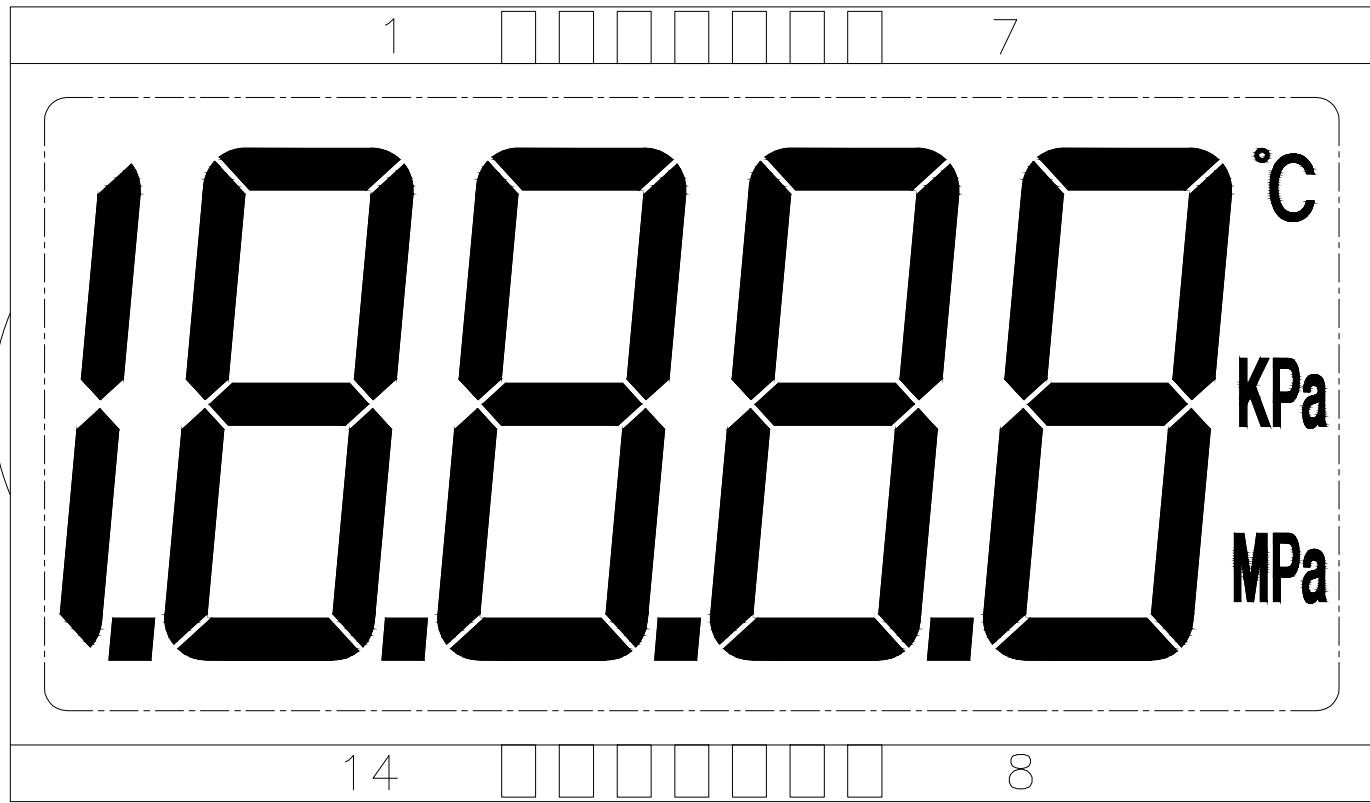


大连奇耘电子有限公司
DALIAN QIYUN DISPLAY CO., LTD.

确认此型号所有图纸;签字确认:

DESIGNED BY: PQQ	GDH00894S(T)P11V3B	VERSION: 2.0 NO. 1 OF 4	1. DISPLAY TYPE: HTN/POSITIVE	6. POLARIZER TYPE: TRANSLFLECTIVE	VERSION	REVISION RECORD
CHECKED BY: HQM		UNIT: mm DATE: 2018-06-19	2. OPERATING VOLTAGE: 3.0V	7. VIEWING DIRECTION: 6:00	1.0	初版
TOLERANCES UNLESS OTHERWISE SPECIFIED: ± 0.2			3. DRIVE MODE: 1/4DUTY, 1/3BIAS	8. CONNECTOR: PIN	2.0	改半透
			4. OPERATING TEMP: $-30^\circ\text{C} \sim 80^\circ\text{C}$	9. CUSTOMER NO:	3.0	
			5. STORAGE TEMP: $-40^\circ\text{C} \sim 90^\circ\text{C}$	10. LCM NO:	4.0	



大连奇耘电子有限公司
DALIAN QIYUN DISPLAY CO., LTD.

DESIGNED BY:

PQQ

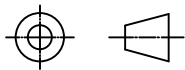
GDH00894S(T)P11V3B

VERSION: 2.0

NO. 2 OF 4

CHECKED BY:

HQM

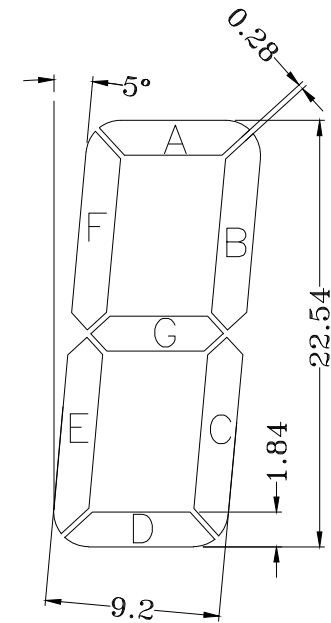
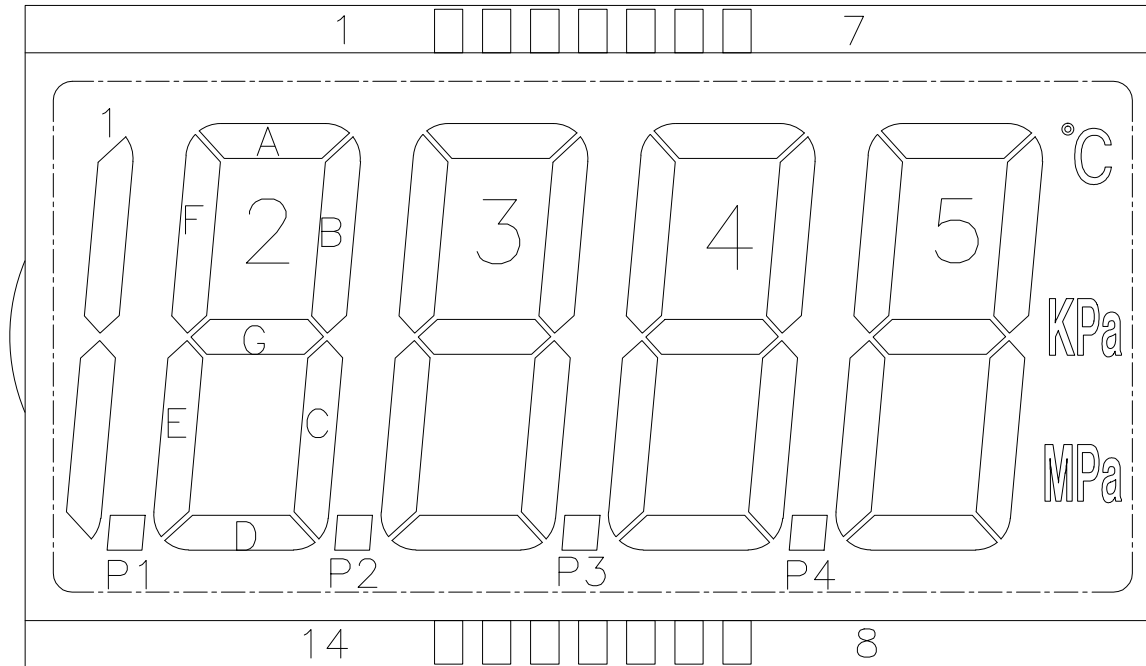


UNIT: mm

DATE: 2018-06-19

TOLERANCES UNLESS OTHERWISE SPECIFIED: ±0.2

全显示效果图



PIN	1	2	3	4	5	6	7	8	9	10	11	12	13	14
COM0	COM0				P4	5D		4D	P3	3D	P2	2D	P1	1C
COM1		COM1			5E	5C	MPa	4C	4E	3C	3E	2C	2E	1B
COM2			COM2		5G	5B	KPa	4B	4G	3B	3G	2B	2G	
COM3				COM3	5F	5A	°C	4A	4F	3A	3F	2A	2F	



大连奇耘电子有限公司
DALIAN QIYUN DISPLAY CO., LTD.

DESIGNED BY:

PQQ

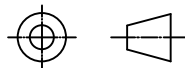
GDH00894S(T)P11V3B

VERSION: 2.0

NO. 3 OF 4

CHECKED BY:

HQM

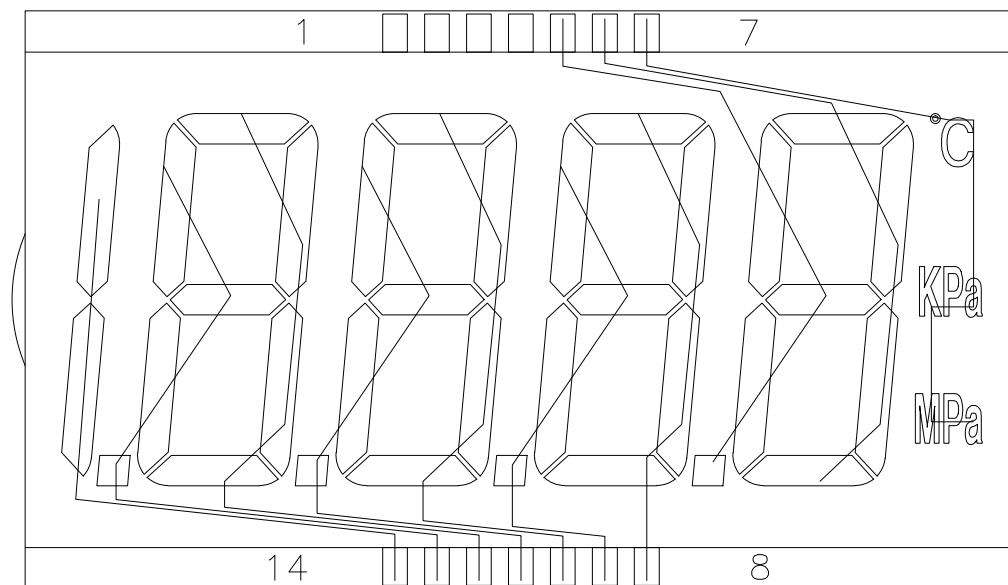


UNIT: mm

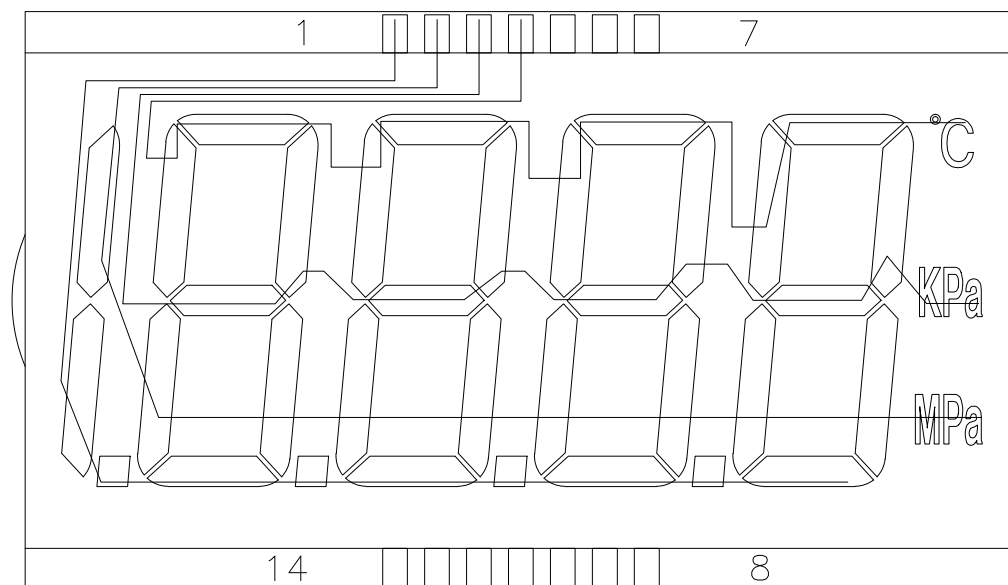
DATE: 2018-06-19

TOLERANCES UNLESS OTHERWISE SPECIFIED: ±0.2

SEG



COM



大连奇耘电子有限公司
DALIAN QIYUN DISPLAY CO., LTD.

DESIGNED BY:

PQQ

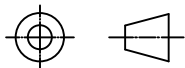
GDH00894S(T)P11V3B

VERSION: 2.0

NO. 4 OF 4

CHECKED BY:

HQM



UNIT: mm

DATE: 2018-06-19

TOLERANCES UNLESS OTHERWISE SPECIFIED: ± 0.2