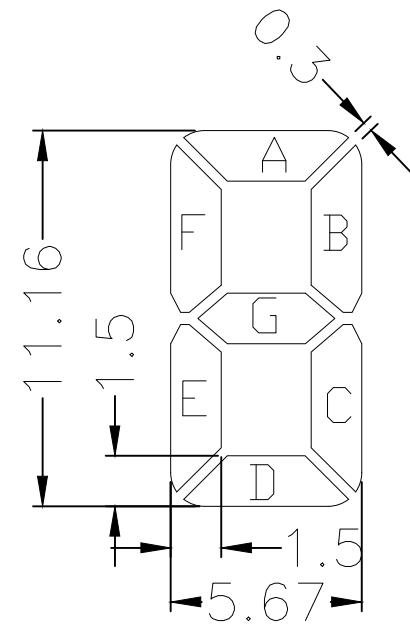
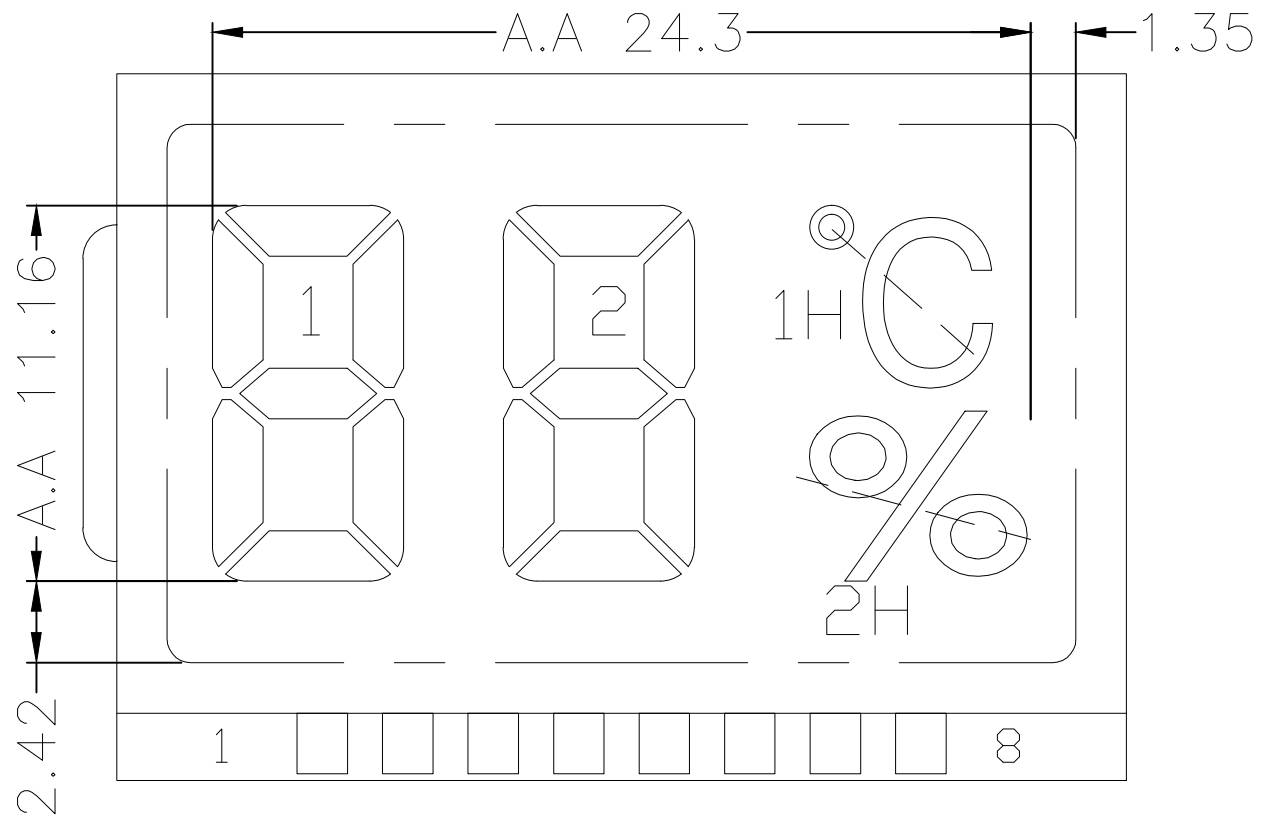


大连奇耘电子有限公司
DALIAN QIYUN DISPLAY CO., LTD.

DESIGNED BY: G J	GDC21310(T)P10V3T	VERSION: 1.0 NO. 2 OF 4
CHECKED BY: HQM		UNIT: mm DATE: 2017-08-09
TOLERANCES UNLESS OTHERWISE SPECIFIED: ±0.2		

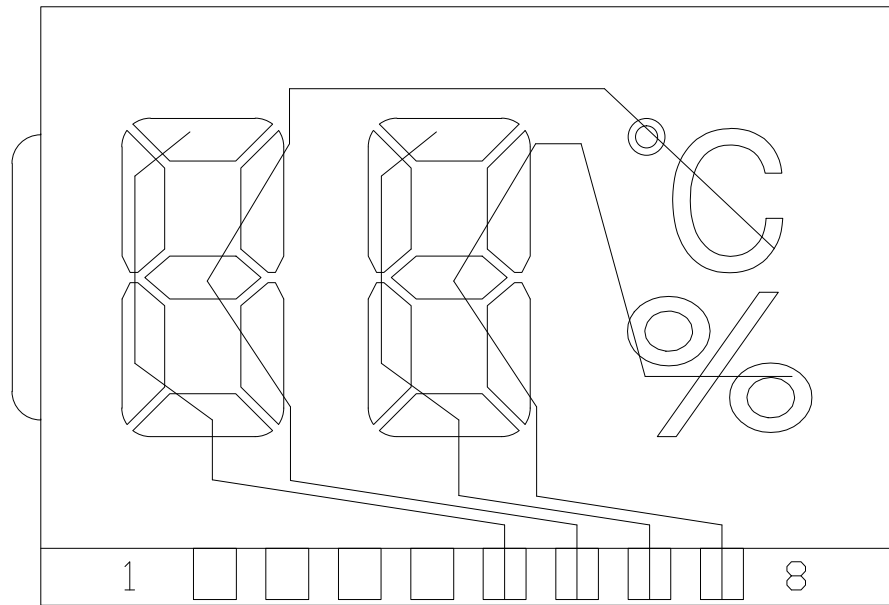
全显示效果图



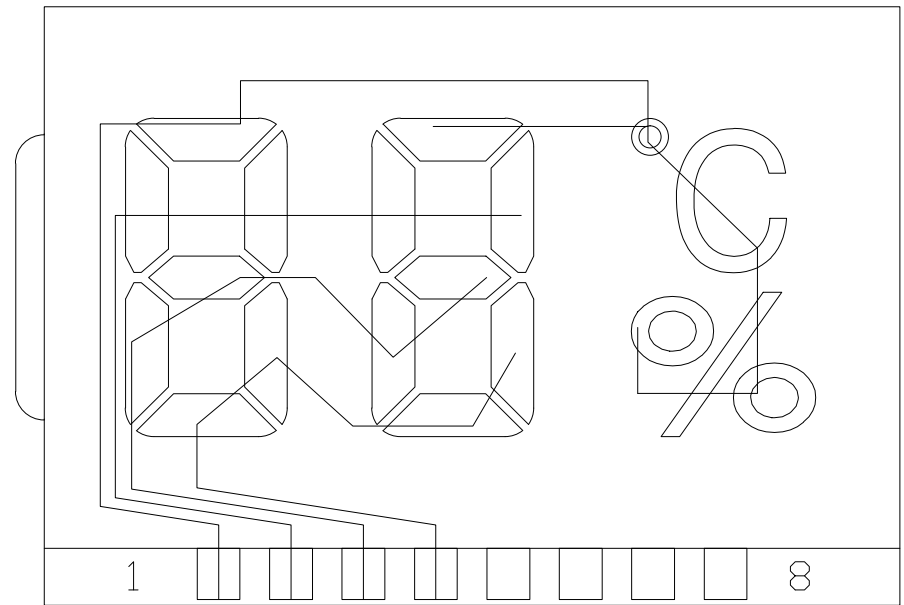
 **大连奇耘电子有限公司**
DALIAN QIYUN DISPLAY CO., LTD.

DESIGNED BY: 	GDC21310(T)P10V3T	VERSION: 1.0 NO. 3 OF 4
CHECKED BY: HQM	 	UNIT: mm DATE: 2017-08-09
TOLERANCES UNLESS OTHERWISE SPECIFIED: ±0.2		

PIN	1	2	3	4	5	6	7	8
COM1	COM1				1A	1H	2A	2H
COM2		COM2			1F	1B	2F	2B
COM3			COM3		1E	1G	2E	2G
COM4				COM4	1D	1C	2D	2C



SEG



COM



大连奇耘电子有限公司
DALIAN QIYUN DISPLAY CO., LTD.

DESIGNED BY:

G J

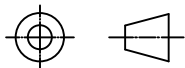
GDC21310(T)P10V3T

VERSION: 1.0

NO. 4 OF 4

CHECKED BY:

HQM



UNIT: mm

DATE: 2017-08-09

TOLERANCES UNLESS OTHERWISE SPECIFIED: ±0.2