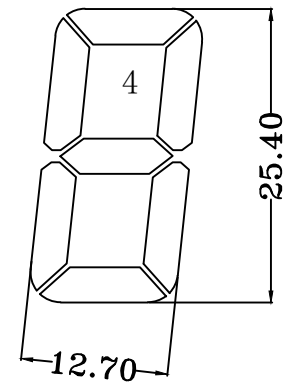
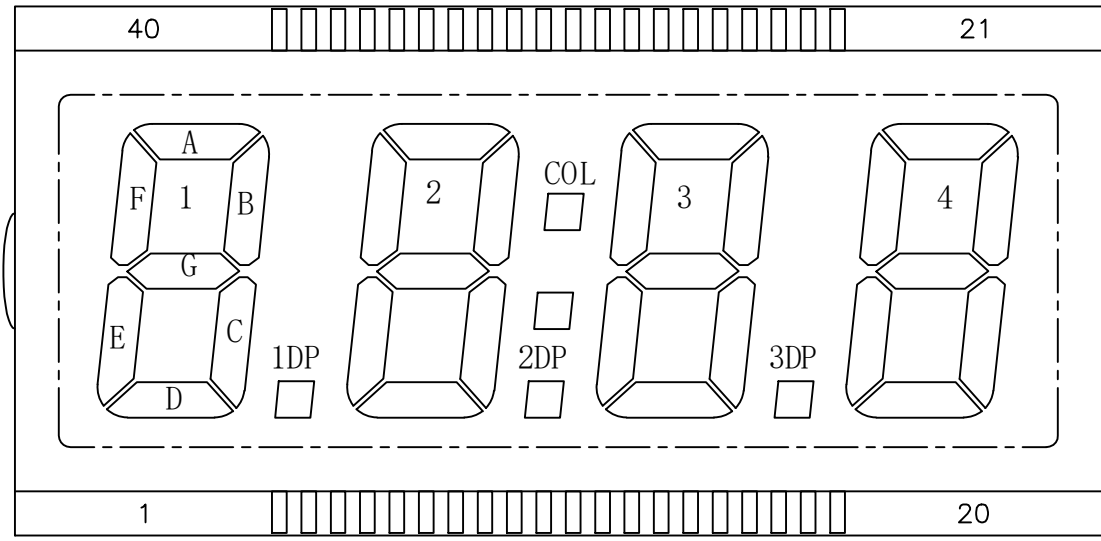


大连奇耘电子有限公司
DALIAN QIYUN DISPLAY CO., LTD.

确认此型号所有图纸;签字确认:

DESIGNED BY: WCL	EDS816S(T)P12V5B	VERSION: 1.0	1. DISPLAY TYPE: TN/POSITIVE	6. POLARIZER TYPE: TRANFLECTIVE	VERSION	REVISION RECORD
		NO. 1 OF 4	2. OPERATING VOLTAGE: 5.0V	7. VIEWING DIRECTION: 6:00	1.	初版
CHECKED BY: DJH		UNIT: mm	3. DRIVE MODE: STATIC	8. CONNECTOR: PIN	2.	
		DATE: 2016-01-06	4. OPERATING TEMP: $-30^\circ\text{C} \sim 70^\circ\text{C}$	9. CUSTOMER NO:	3.	
TOLERANCES UNLESS OTHERWISE SPECIFIED: ± 0.2			5. STORAGE TEMP: $-35^\circ\text{C} \sim 80^\circ\text{C}$	10. LCM NO:	4.	

PIN#	1	2	3	4	5	6	7	8	9	10	11	12	13	14
SYM.	COM	\	\	\	1E	1D	1C	1DP	2E	2D	2C	2DP	3E	3D
PIN#	15	16	17	18	19	20	21	22	23	24	25	26	27	28
SYM.	3C	3DP	4E	4D	4C	4B	4A	4F	4G	3B	3A	3F	3G	COL
PIN#	29	30	31	32	33	34	35	36	37	38	39	40		
SYM.	2B	2A	2F	2G	\	1B	1A	1F	1G	\	\	COM		



Autodesk

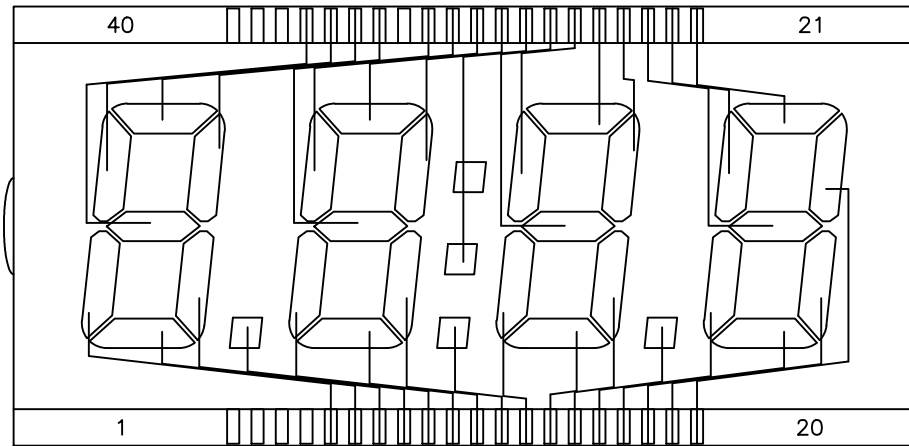
Autodesk



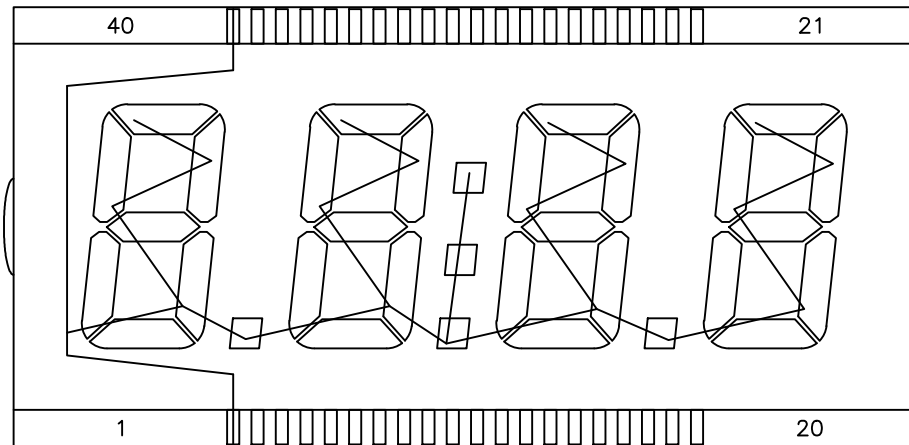
大连奇耘电子有限公司
DALIAN QIYUN DISPLAY CO., LTD.

DESIGNED BY: WCL	EDS816S(T)P12V5B	VERSION: 1.0
		NO. 2 OF 4
CHECKED BY: DJH		UNIT: mm
		DATE: 2016-01-06
TOLERANCES UNLESS OTHERWISE SPECIFIED: ±0.2		

SEG



COM



大连奇耘电子有限公司
DALIAN QIYUN DISPLAY CO., LTD.

DESIGNED BY:

WCL

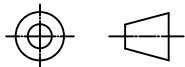
EDS816S(T)P12V5B

VERSION: 1.0

NO. 3 OF 4

CHECKED BY:

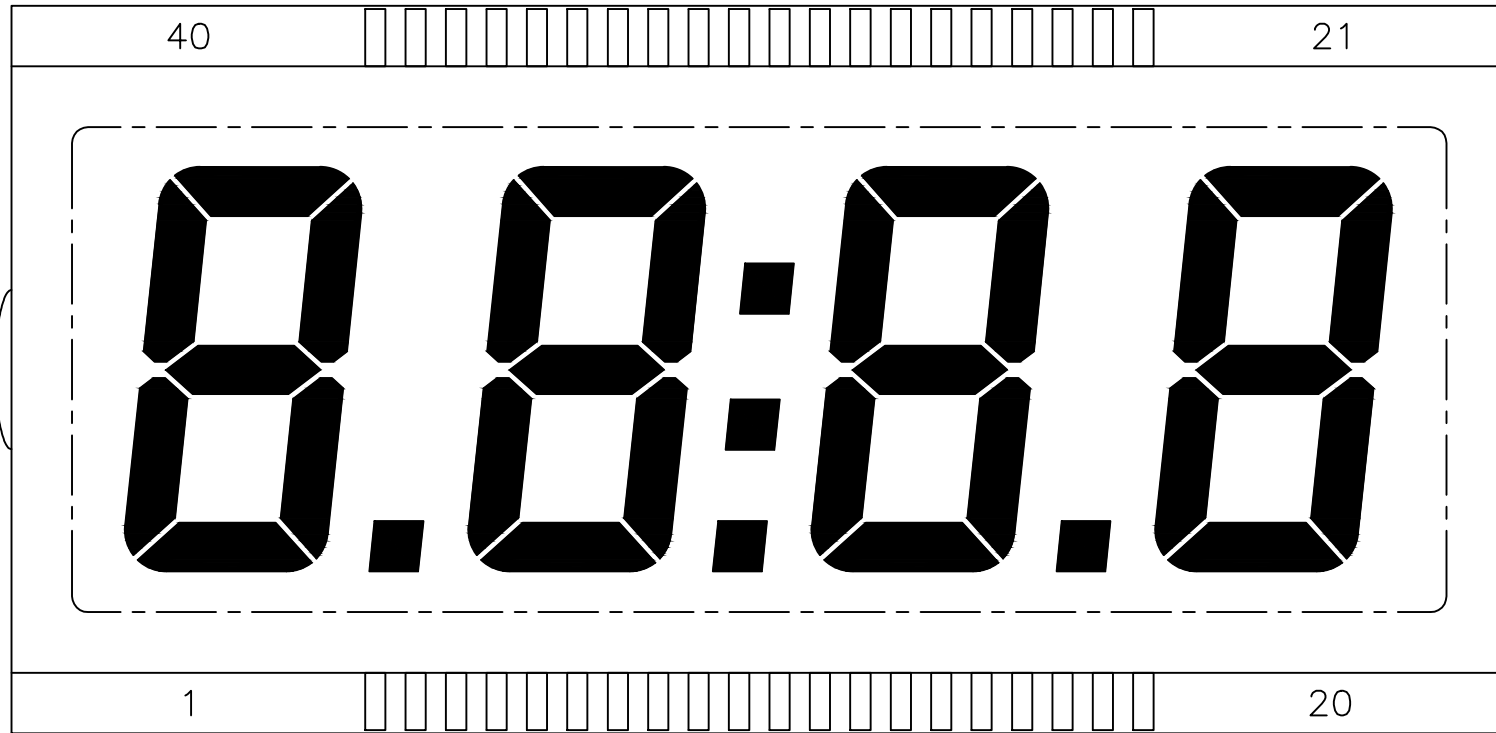
DJH



UNIT: mm

DATE: 2016-01-06

TOLERANCES UNLESS OTHERWISE SPECIFIED: ±0.2



大连奇耘电子有限公司
DALIAN QIYUN DISPLAY CO., LTD.

DESIGNED BY: WCL	EDS816S(T)P12V5B	VERSION: 1.0
CHECKED BY: DJH		NO. 4 OF 4
		UNIT: mm
		DATE: 2016-01-06
TOLERANCES UNLESS OTHERWISE SPECIFIED: ±0.2		

全显示效果图