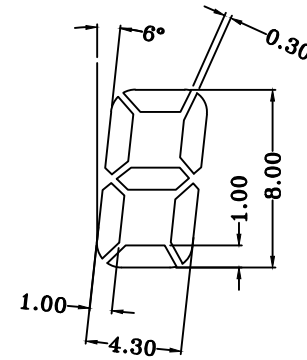
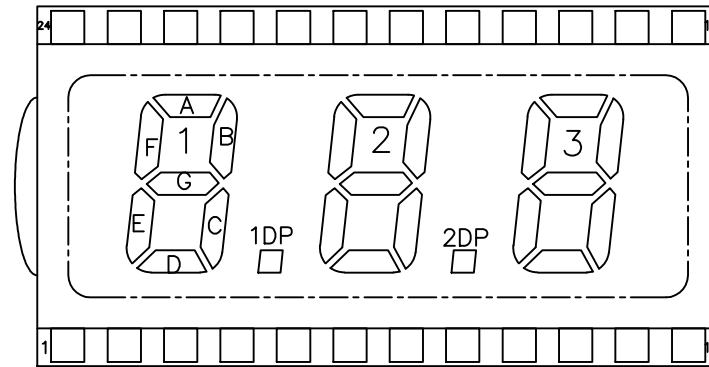


大连奇耘电子有限公司
DALIAN QIYUN DISPLAY CO., LTD.

确认此型号所有图纸;签字确认:

DESIGNED BY: ZN	EDS812S(T)P6.35V3B	VERSION: 1.0	1. DISPLAY TYPE: HTN/POSITIVE	6. POLARIZER TYPE: TRANSLUCENT	VERSION	REVISION RECORD
		NO. 1 OF 4	2. OPERATING VOLTAGE: 3.0V	7. VIEWING DIRECTION: 6:00	1.0	初版
CHECKED BY: HQM		UNIT: mm	3. DRIVE MODE: STATIC	8. CONNECTOR: PIN	2.0	
		DATE: 2015-09-24	4. OPERATING TEMP: $-40^\circ\text{C} \sim 80^\circ\text{C}$	9. CUSTOMER NO:	3.0	
TOLERANCES UNLESS OTHERWISE SPECIFIED: ± 0.2			5. STORAGE TEMP: $-45^\circ\text{C} \sim 90^\circ\text{C}$	10. LCM NO:	4.0	



PIN#	1	2	3	4	5	6	7	8	9	10	11	12
SYM.	COM	1E	1D	1C	1DP	2E	2D	2C	2DP	3E	3D	3C
PIN#	13	14	15	16	17	18	19	20	21	22	23	24
SYM.	3B	3A	3F	3G	2B	2A	2F	2G	1B	1A	1F	1G



大连奇耘电子有限公司
DALIAN QIYUN DISPLAY CO., LTD.

DESIGNED BY:

ZN

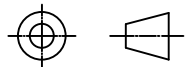
EDS812S(T)P6.35V3B

VERSION: 1.0

NO. 2 OF 4

CHECKED BY:

HQM

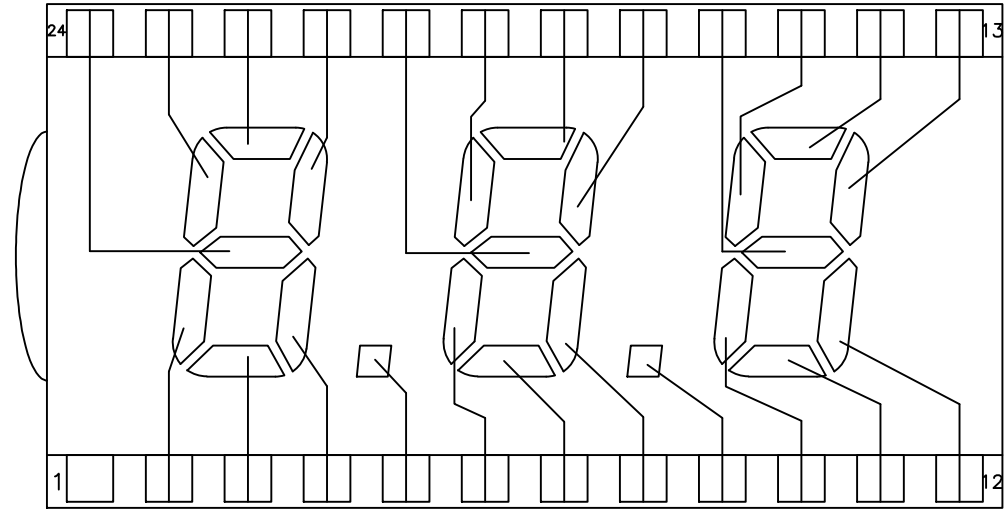


UNIT: mm

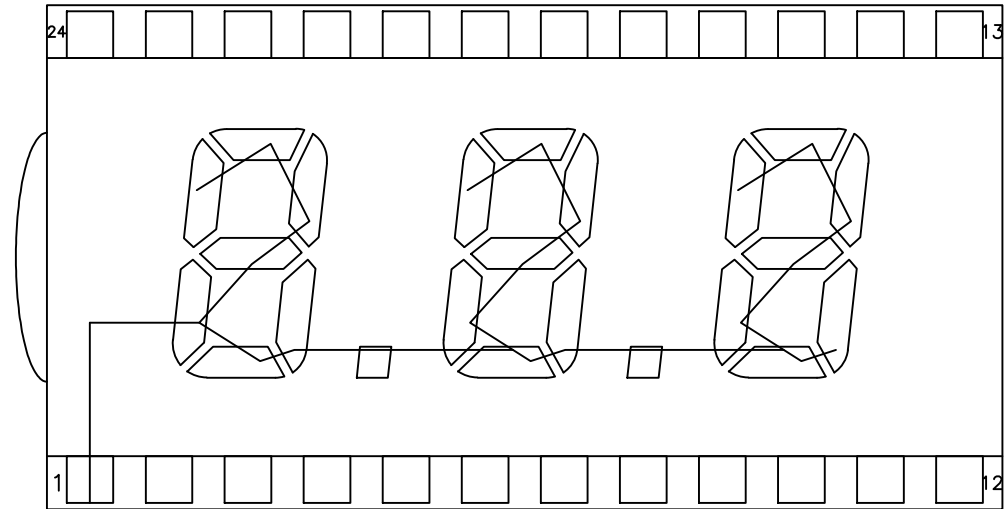
DATE: 2015-09-24

TOLERANCES UNLESS OTHERWISE SPECIFIED: ±0.2

SEG



COM



大连奇耘电子有限公司
DALIAN QIYUN DISPLAY CO., LTD.

DESIGNED BY:

ZN

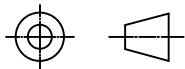
EDS812S(T)P6.35V3B

VERSION: 1.0

NO. 3 OF 4

CHECKED BY:

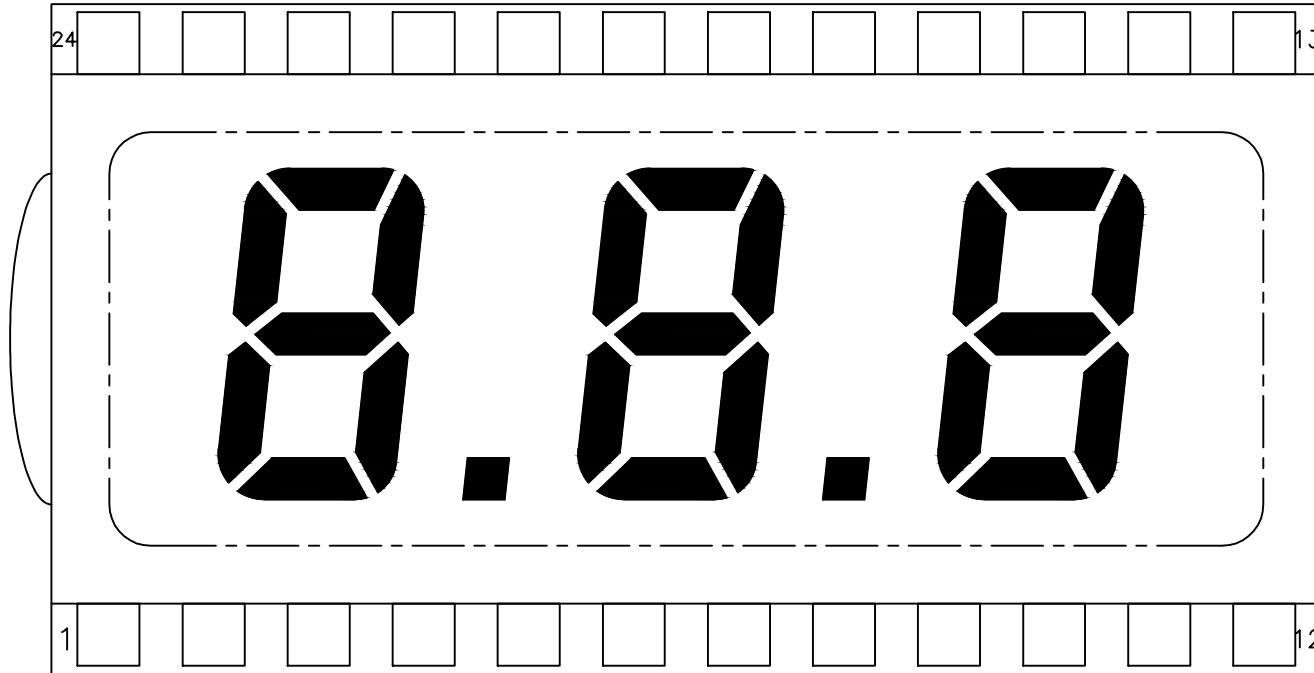
HQM



UNIT: mm

DATE: 2015-09-24

TOLERANCES UNLESS OTHERWISE SPECIFIED: ±0.2



大连奇耘电子有限公司
DALIAN QIYUN DISPLAY CO., LTD.

DESIGNED BY:

ZN

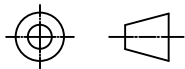
EDS812S(T)P6.35V3B

VERSION: 1.0

NO. 4 OF 4

CHECKED BY:

HQM



UNIT: mm

DATE: 2015-09-24

TOLERANCES UNLESS OTHERWISE SPECIFIED: ±0.2

全显示效果图