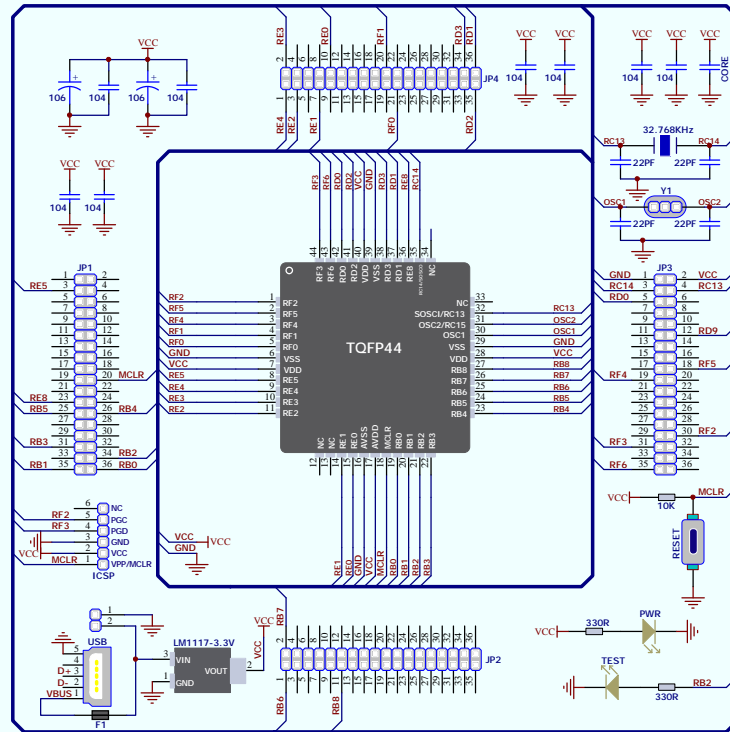


# PIC44-B V2 Card (for OpenPIC Pro Motherboard) Schematic

Hardware Revision v2

If you are experiencing some problems with any of our products or just need additional information, please contact our technical support: [michello\\_sales@163.com](mailto:michello_sales@163.com)  
 If you want to learn more about our product, please visit our website:

[www.MicroHello.com](http://www.MicroHello.com)



Title		
Size	Number	Revision
A3		
Date:	21-Jun-2025	Sheet of
File:	F:\project\电路设计\Log\Find_Des\pic2024\Draw\04by:	