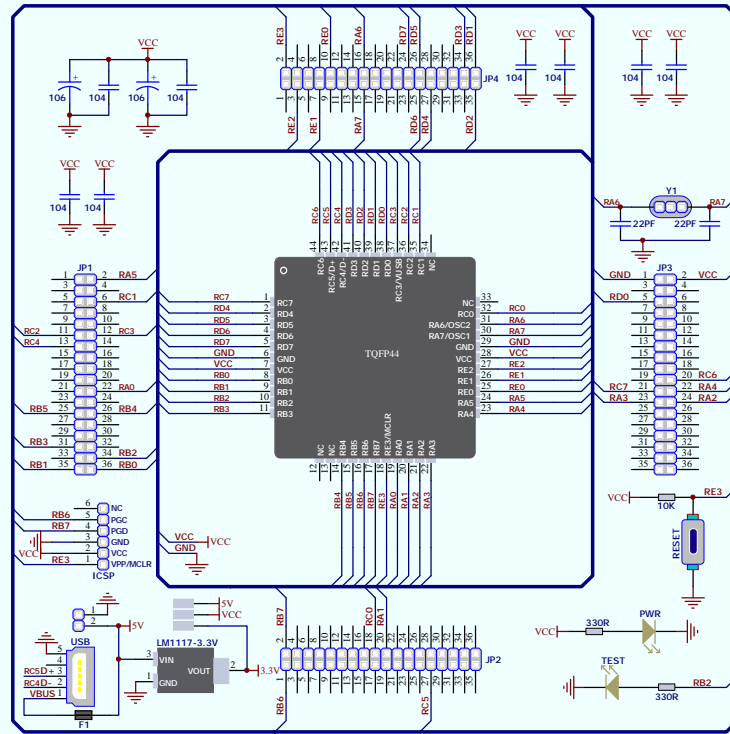


# PIC44-8bit V2 Card (for OpenPIC Pro V2 Motherboard) Schematic

Hardware Revision v2

If you are experiencing some problems with any of our products or just need additional information, please contact our technical support: [michello\\_sales@163.com](mailto:michello_sales@163.com)  
 If you want to learn more about our product, please visit our website:

[www.MicroHello.com](http://www.MicroHello.com)



Title		
Size	Number	Revision
A3		
Date:	21-Jun-2025	Sheet of
File:	F:\projet 电路设计\LogFind_Design2024\016\016by:	