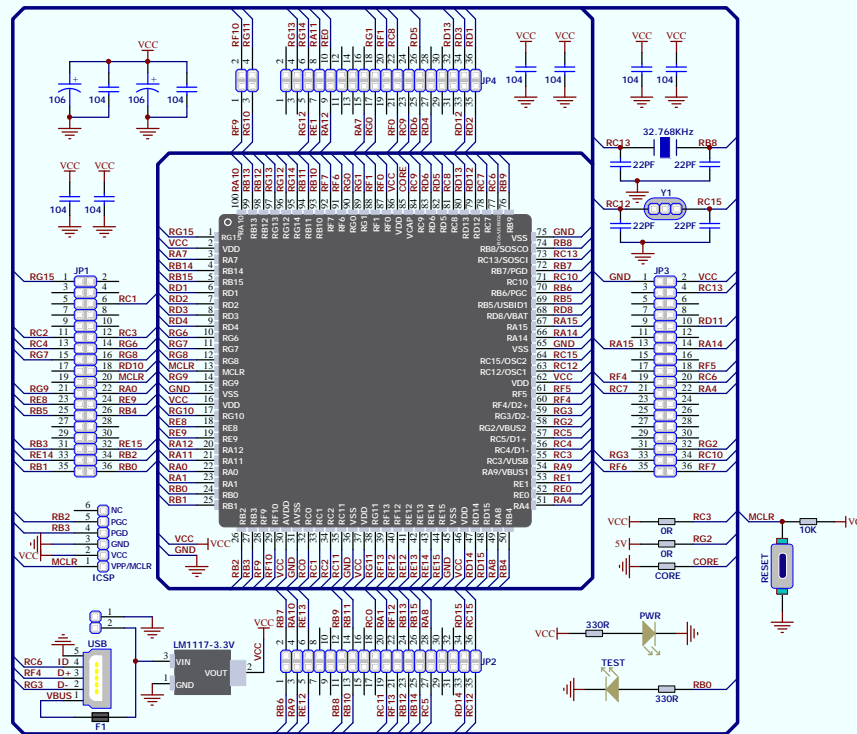


PIC100-B V2 Card Schematic

Hardware Revision v2

If you are experiencing some problems with any of our products or just need additional information, please contact our technical support: microhello_sales@163.com
If you want to learn more about our product, please visit our website:

www.MicroHello.com



Title		
Size	Number	Revision
A3		
Date:	21-Jun-2025	Sheet of
File:	E:\project\电路设计\Log\Find_Des\pic2024\Draw\04by:	