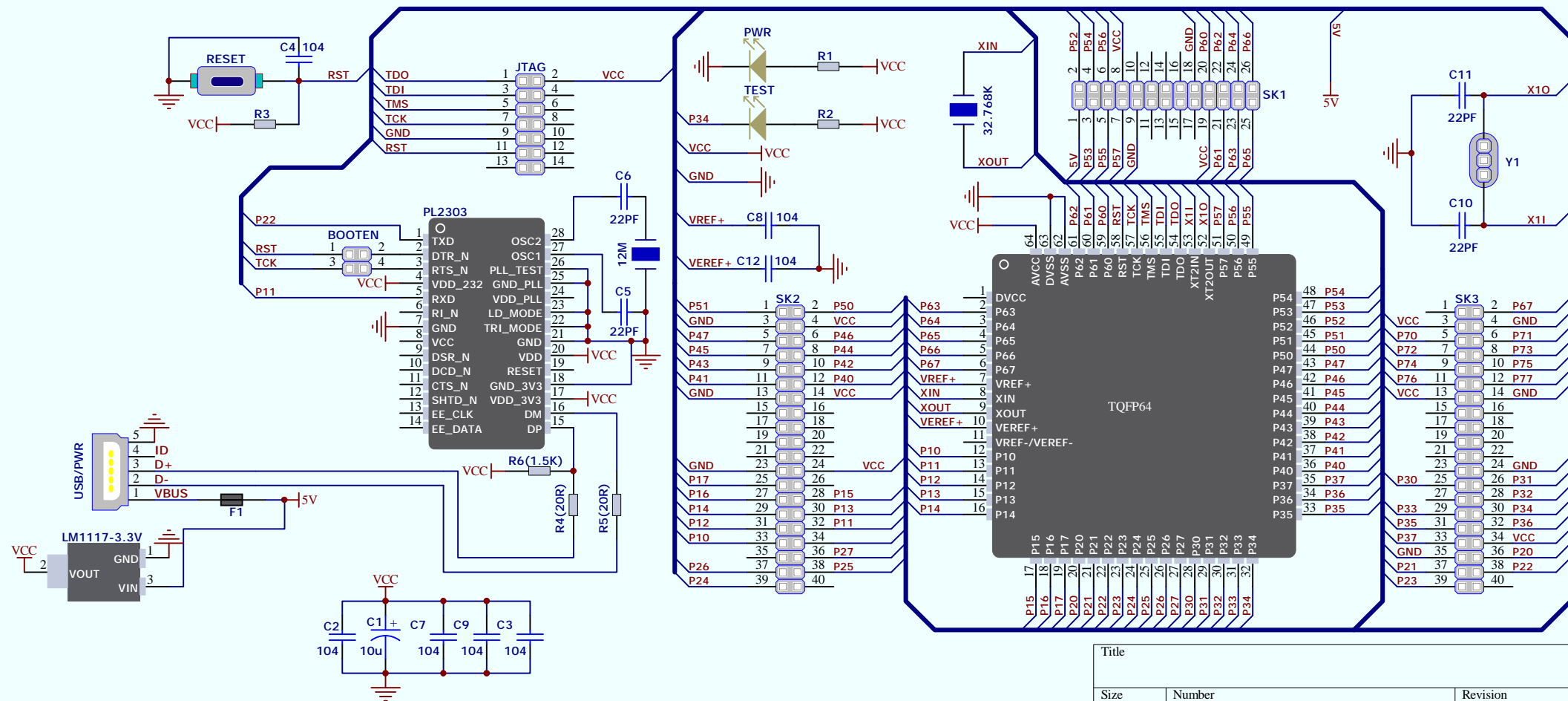


CARD64-MSP430-A development board(Can be used on OpenMCU Basic-A) Schematic

Hardware Revision v2

If you are experiencing some problems with any of our products or just need additional information, please contact our technical support: wxl07297662156@163.com
 If you want to learn more about our product, please visit our website:

www.LogiFind.com



Title		
Size	Number	Revision
A4		
Date:	28-Jun-2022	Sheet of
File:	E:\LogiFind_Design20220108.Ddb	Drawn By: