

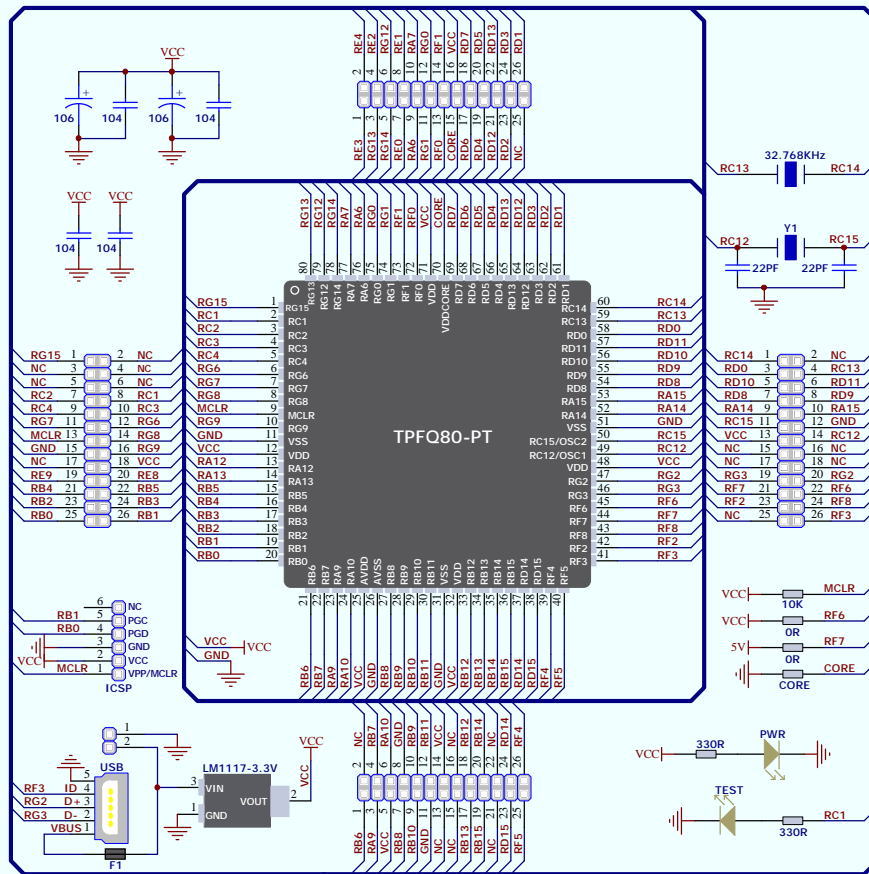
PIC80-A Card (for easyPIC Pro) Schematic

Hardware Revision v1

If you are experiencing some problems with any of our products or just need additional information, please contact our technical support: wxl07297662156@163.com

If you want to learn more about our product, please visit our website:

www.LogiFind.com



Title		
Size	Number	Revision
A3		
Date:	13-Aug-2020	Sheet of
File:	E:\LogiFind_Design.Ddb	Drawn By: