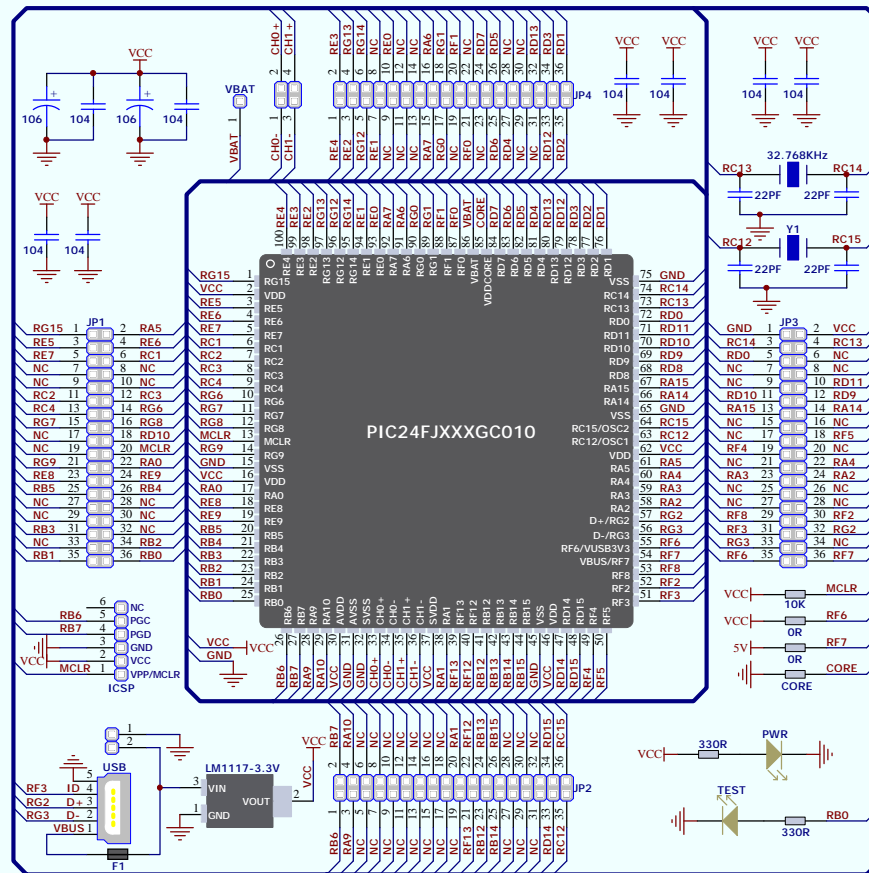


PIC100-C V2 Card Schematic

Hardware Revision v2

If you are experiencing some problems with any of our products or just need additional information, please contact our technical support: wxl02792662156@163.com
 If you want to learn more about our product, please visit our website:

www.LogiFind.com



Title		
Size	Number	Revision
A3		
Date:	19-Apr-2021	Sheet of
File:	E:\LogiFind_Design.Ddb	Drawn By: