

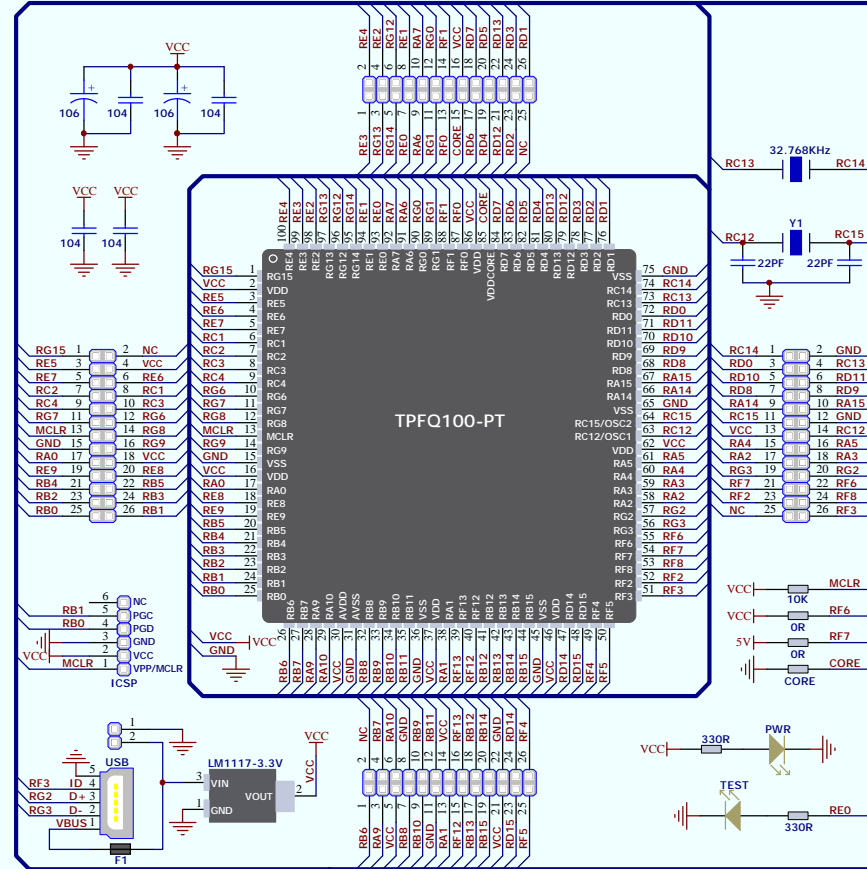
PIC100-A(for easyPIC Pro) Card Schematic

Hardware Revision v1

If you are experiencing some problems with any of our products or just need additional information, please contact our technical support: wxl07297662156@163.com

If you want to learn more about our product, please visit our website:

www.LogiFind.com



| Title | | |
|-------|------------------------|-----------|
| Size | Number | Revision |
| A3 | | |
| Date: | 12-Aug-2020 | Sheet of |
| File: | E:\LogiFind_Design.Ddb | Drawn By: |